

BL-201-05-868 ERCO 3xGRP 1xSCENE
BL-201-12-868 ERCO FLEX



EnOcean-DALI-Controller, series BL, light controller

Interfaces: 1x DALI Master, 1x EnOcean Master bi-directional

Supply voltage: 230 V AC, for ERCO DALI track



The EnOcean-DALI-Controller **BL-201-05-868 ERCO 3xGRP 1xSCENE** and **BL-201-05-868 ERCO FLEX** are used to control lamps and electronic ballasts with a DALI interface by wireless light switches based on the EnOcean wireless technology. The controller fits directly into the DALI light track from ERCO, and have been developed as a special accessory for lighting control and interface.

The controller provides a DALI master with a DALI power supply for direct connection of up to 17 DALI ballasts. (Iout max.= 34 mA). In addition, an EnOcean wireless transceiver is integrated, to communicate with a number of light switches or, in case of the FLEX option, with the EnOcean USB stick for controller configuration by the PC software BL-201-FLEX. The device can be mounted directly into a DALI light track from ERCO, like a DALI lamp. The controller is supplied via the DALI light track by 230V AC.

Technical data

Interfaces and I/O

DALI Master

Number	1 (Master)
Output current DALI	Max. 34 mA (17 slaves / ballasts)
Output voltage DALI	16V DC (+/- 5%)
Galvanic isolation	Yes
Connection technology	Light track contacts

Power supply

Supply voltage	230 V AC
Power connector	Light track contacts

EnOcean Master

Number	1 (Master, bi-directional)
Transceiver	TCM310
Transmit / receive	yes / yes
Antenna	Integrated

User interfaces

Service button	1
Service LED	1, red

BL-201-05-868 ERCO 3xGRP 1xSCENE BL-201-12-868 ERCO FLEX



Environmental conditions		Standards	
Supply voltage	230 V AC / 50 Hz	CE conformity	2004/108/EG Electromagnetic compatibility, R&TTE 1999/5/EC Radio and Telecommunications Terminal Equipment Directive
Power consumption	Typ. 2.8 W, max. 4.0 W	Product safety:	DIN EN 60950-1:2011 + A12 Cor. 1:2012 + Cor. 1:2012
Operating temperature	+5°C to +50°C	EMC/EMI	EN 61000-6-2:2005 EN 61000-6-3:2007 + A1:2011 + Cor 1:2012 EN 301 489-1:2011 V1.9.2 EN 301 489-3:2013 V1.6.1 EN 300 220-2:2012 V2.4.1
Storage temperature	+5°C to +50°C		
Humidity	10% to 95%, non condensing		

Short description

Power supply

The BL-201-05-868 3xGRP 1xSCENE and BL-201-12-868 FLEX are supplied directly from the DALI light track by 230V AC line voltage

DALI Master

The BL-201-05-868 ERCO 3xGRP 1xSCENE and BL-201-12-868 ERCO FLEX provide a DALI master according to the DALI specification. In addition, a DALI power supply is integrated for the direct connection of up to 17 DALI ballasts. No separate DALI power supply is necessary. The electrical connections are provided by the special mechanics of the Light track adapter.

EnOcean master / bi-directional

The integrated transceiver TCM310 allows the bi-directional communication with EnOcean sensors and control units according to the EnOcean profile specification EEP 2.1.

Service button / service LED

BL-201-05-868 has a service button to teach in a sensor or a control unit (actually no function in BL-201-12-868 FLEX option).

By the internal red service LED, several status information will be displayed

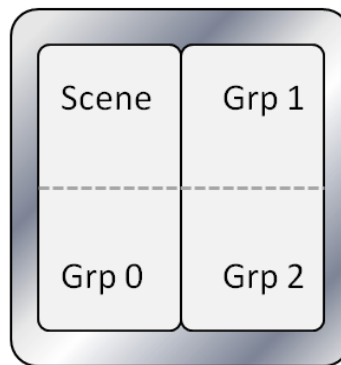
Functionality of the controller / software options

SW-Option 05 (BL-201-05-868): 3 groups and one scene, fixed functionality

The controller provides the following functionality:

- Double rocker to control up to 17 DALI lamps, each lamp assigned to one of three groups
- 3 buttons of the rocker to control each groups 0, 1 and 2 separately (ON/OFF/DIM)
- 1 button to control all groups at the same time (ON/OFF/DIM), and to store and recall one scene

The following picture shows the assignment of the functions to the 4 button positions of the double rocker of an EnOcean wireless light rocker:



The description of the buttons functionality is described as follows:

- | | |
|---------------------------------------|---|
| Scene button, 1x short: | Switch off all lamps of all groups, if actually turned on |
| Scene button, 1x short: | Recall the stored scene, if lamps are actually turned off. |
| Scene button, 1x long >5 sec.: | Store the current dim values of all lamps in all groups as a scene. |
| Grp 0 / 1 / 2, long: | Dim down all lamps of the according group, until button is released or 0% is reached. |
| Grp 0 / 1 / 2, long | Dim up all lamps of the according group, until button is released or 100% is reached. |
| Grp 0 / 1 / 2, 1x short (<=0.5 sec.): | Switch on all lamps of a group, if they are actually turned off. |
| Grp 0 / 1 / 2, 1x short (<=0.5 sec.): | Switch off all lamps of a group, if they are actually turned on. |

BL-201-05-868 ERCO 3xGRP 1xSCENE
BL-201-12-868 ERCO FLEX



SW-Option 12 (BL-201-12-868): FLEX, configurable by PC software BL-201-FLEX

The functionality of the DALI-EnOcean-Controller with FLEX option is configured using the PC software tool BL-201-FLEX.

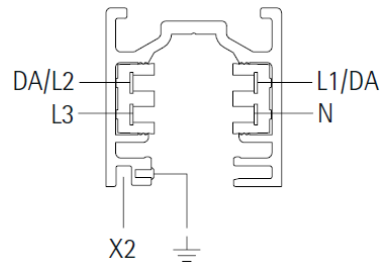
In contrast to the other controller options, instead of fixed functions and assignments, the user can configure DALI groups and scenes. In the next step, he can assign EnOcean rockers to control single DALI ballast, groups, scenes etc.. The wireless communication and the programming between the PC and the BL-201 is realized using an USB EnOcean stick.

For a detailed description of the extensive functionality, please study the documentation of the PC software BL-201-FLEX

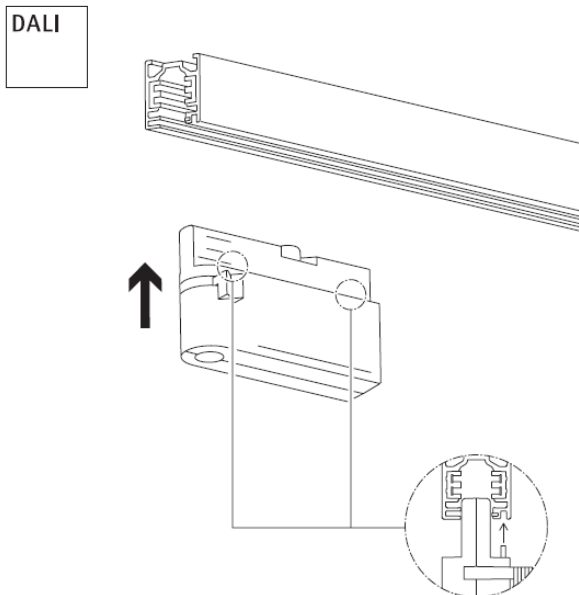
BL-201-05-868 ERCO 3xGRP 1xSCENE BL-201-12-868 ERCO FLEX

Installation (all options) and start-up (only for option 05, teach in is obsolete in case of FLEX Option)

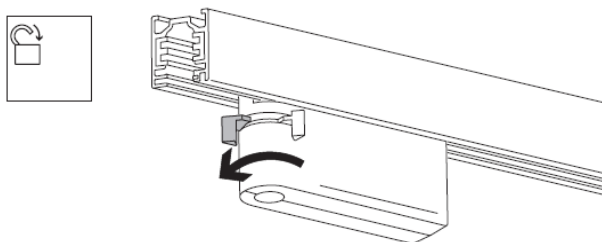
The BL-201-05-868 / BL-201-12-868 is compatible with all ERCO DALI light tracks. Please take care of the installation and mounting instructions of the manufacturer.



To mount the controller BL-201-05-868 or BL-201-12-868, plug in the module housing into the DALI light track as shown in the following picture. Take care that the two rocker levers are in the unlocked front position

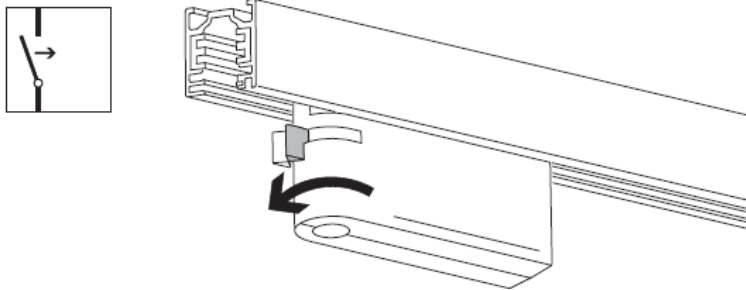


First, lock the controllers housing in the DALI light track with the first rocker lever, as shown below



BL-201-05-868 ERCO 3xGRP 1xSCENE BL-201-12-868 ERCO FLEX

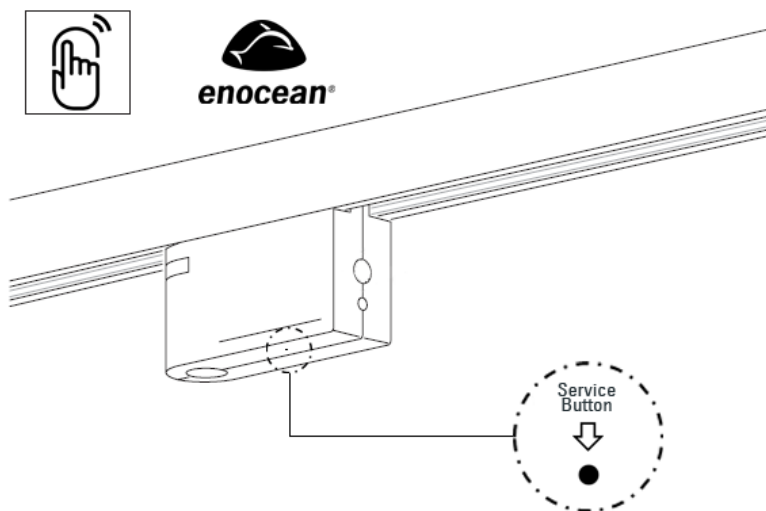
In the second step, set up the electrical connections by turning the second rocker lever into the locked position, as shown below.



When the installation is done, the controller BL-201-05-868 or BL-201-12-868 are fully functional within a few second.

Reset memory:

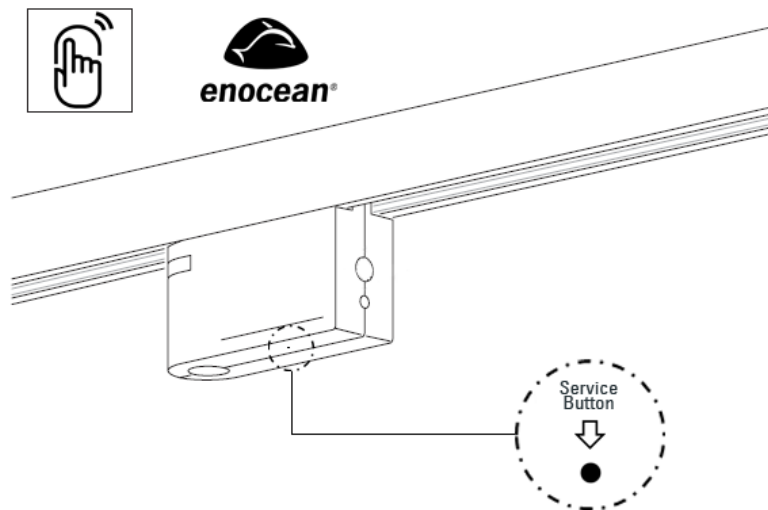
To ensure that no rocker switch is teached in into the controller, hold the service button on the bottom side of the module housing for more than 2 seconds.. Use the small tool inside the original module packaging, or a thin inflexible wire. The red LED on the side, in the middle of the type label, will flash once to acknowledge this procedure..



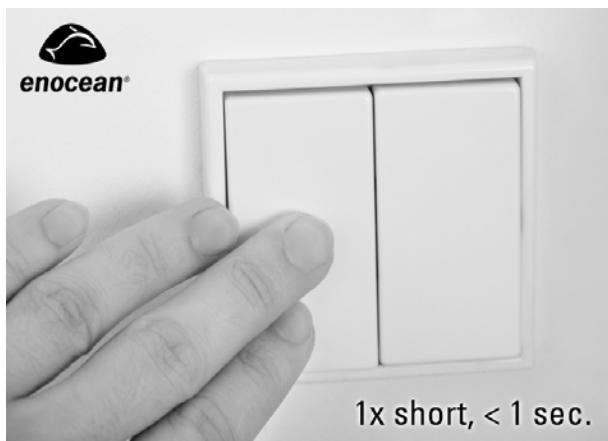
Teach in of a rocker:

Push the service button of the BL-201-05-868 for less than one second The red service LED will turn on. Now the controller is ready to teach in a rocker.

BL-201-05-868 ERCO 3xGRP 1xSCENE
BL-201-12-868 ERCO FLEX



Now push the rocker within 20 seconds. In case of success, the red service LED will be turned off immediately. The controller is ready to be used and will work as described above.



BL-201-05-868 ERCO 3xGRP 1xSCENE
BL-201-12-868 ERCO FLEX

Ordering information

Article name	Ordering number	Description
BL-201-05-868 ERCO 3xGRP 1xSCENE	11103	EnOcean-DALI-Controller series BL-201 function: 3 groups ON/OFF/DIM 1x scene with double rocker 230 V AC, 868 MHz, Adapter for ERCO DALI track
BL-201-12-868 ERCO FLEX	11236	EnOcean-DALI-Controller series BL-201 function: free configurable with BL-201-FLEX PC software 230 V AC, 868 MHz, Housing for ERCO DALI track

Version 05, 22.07.2015