



**Colour  
is our nature**

## 100W DMX/DALI Full-Colour Dimmable LED Drivers

### Input characteristics

Input voltage AC	120-250V (ENEC approved) 120-277V (UL approved)
Input voltage DC	120-275V
Input current	1.05A max @ 120V/60Hz 0.5A max @ 230V/50Hz 0.45A max @ 277V/60Hz
Input frequency	50-60Hz
Efficiency	90% @ full load, ≥87% above 50% load
Power factor	>0.94
THD	<10%
Inrush current	35A 240µs @ 120V/60Hz 67A 240µs @ 230V/50Hz 75A 240µs @ 277V/60Hz
Surge protection	3kV (L to N), 4kV (L/N to GND)
Standby power	<0.5W

### Output characteristics

LED output power	100W max
LED output current range	200-1,050mA (settable per output)
LED output current resolution	50mA
LED output current tolerance	+/- 5%
LED outputs	4 (UL Class 2)
LED output voltage range	2-57V
Control channels	4

### Control characteristics

Dimming protocol	DMX and DALI
Dimming range	100%-0% (Hybrid HydraDrive)
Dimming curve	linear, logarithmic, square
Driver configuration	via 3-button user interface on driver

### Product offering



#### POWERdrive 106/A

P/N: PWR106A1

POWERdrive AC, 100W, DMX/DALI, UI, 4 control channels, constant current, 4x 57V outputs, long metal/plastic



#### POWERdrive 106/M

P/N: PWR106M1

POWERdrive AC, 100W, DMX/DALI, UI, 4 control channels, constant current, 4x 57V outputs, long metal

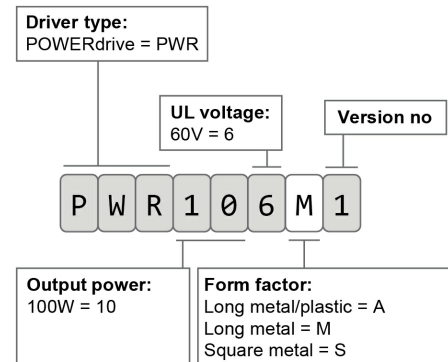


#### POWERdrive 106/S

P/N: PWR106S1

POWERdrive AC, 100W, DMX/DALI, UI, 4 control channels, constant current, 4x 57V outputs, square metal

### Order number configuration



## Dimensions, weight and packaging

### POWERdrive 106/A

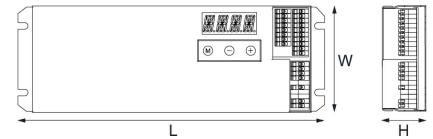
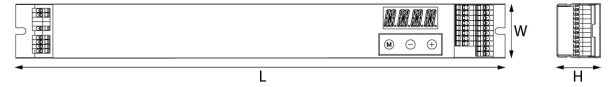
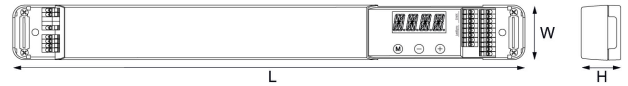
LxWxH	388x42x30mm / 15.27x1.65x1.18in
Weight	681.5 g / 24 oz
Drivers per carton	20 pcs

### POWERdrive 106/M

LxWxH	370x41x30mm / 14.57x1.61x1.18in
Weight	774 g / 27.3 oz
Drivers per carton	20 pcs

### POWERdrive 106/S

LxWxH	230x80x30mm / 9.06x3.15x1.18in
Weight	933.5 g / 32.9 oz
Drivers per carton	20 pcs



## Standards and certifications

### Standards compliance

EN	61347-1 / -2-7 / -2-13, 62384, 55015, 55022, 61000-3-2, 61547, 62386-101 / -102 / -207
FCC	47 CFR Part 15 class B
RoHS	RoHS2

## Wiring Specifications

Wire type	AWG 20-16, 0.5-1.5mm <sup>2</sup> solid or stranded copper
Wire strip length	9mm / 0.35in

## Thermal protection

External NTC thermistor	throttling @ 70 °C / 158 °F (settable)
External thermistor value	47kΩ
Recommended thermistors	NTCS0805E4473JXT (SMD) 238164063473 (leaded) NTCASCWE3473J (screw)

## Certifications



UL	Recognized Component for US and Canada (file no. E333135), according to UL1310 and UL8750. US/Canada: Class 2 output.
----	---

## Wiring diagrams

### POWERdrive 106/A, 106/M



### POWERdrive 106/S



## Thermal specification

Ta operating range	-40 °C ... +50 °C / -40 °F ... +122 °F
Tc max	90 °C / 194 °F (106/A) 85 °C / 185 °F (106/M) 83 °C / 181 °F (106/S)