

## LED Recessed Downlight UGR<19

This high-quality LED downlight with aluminum reflector and white frame adapts perfectly to the surrounding ceiling situation. The luminaire is ideal for illuminating rooms, in which a glare-free environment is essential. These include for instance office and conference rooms, showrooms, corridors, foyers or living areas.



ITEM DESCRIPTION	ARTICLE CODE	EAN CODE	DIMMABLE
LED RDL 188 1800LM/38D/840 500MA	29001316	9 009453 013019	
LED DRIVER 220-240V CC 500mA 15-34VDC	29001348	9 009453 013033	Non-Dimmable
LED DRIVER 220-240V CC 500mA 15-34VDC DALI	29001349	9 009453 013040	DALI, switchDIM

GENERAL CHARACTERISTICS	
Luminaire Materials	Aluminum / Plastic (PMMA)
Finish	Round, White (RAL9003)
IP Rating	IP20
Shock Resistance	IK04
UV Resistance	Yes
Rated Lifetime *	50 000 h
Switching Cycles	100 000
Start Time from 0% to 100%	< 0.5 s
Ambient Temperature	-20 °C - +40 °C
Mercury Content	0.0 mg
Fixing	Retaining Springs
Guarantee	5 years manufacturer guarantee, 3 years full guarantee

LIGHT CHARACTERISTICS	
Rated Luminous Flux	1800 lm
Lamp Efficacy	100 lm/W
Color	Neutral White
Color Temperature	4000 K
Color Rendering Index	80
Lumen Maintenance Factor (at end of lifetime) *	L80 B10
Beam Angle	38°
Luminous Intensity	2800 cd
Color Consistency	< 6 Step MacAdam Ellipse
Unified Glare Rating **	< 19 UGR

\* at an ambient temperature of 25 °C

\*\* X = 4H, Y = 8H, reflectance 70/50/20

## ELECTRICAL CHARACTERISTICS

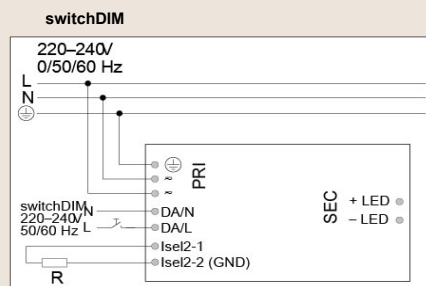
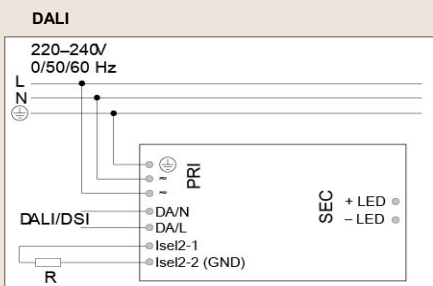
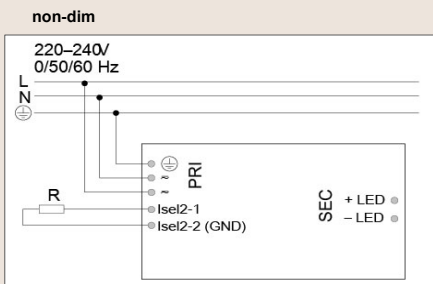
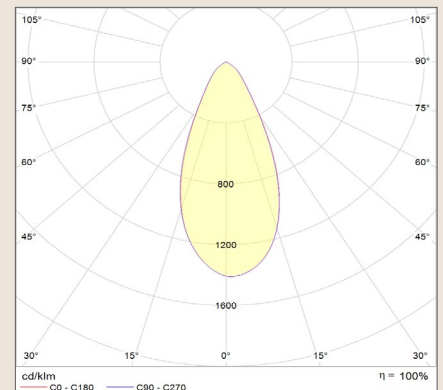
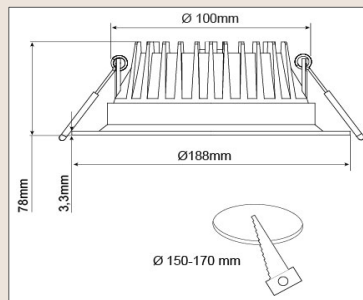
	Luminaire	Converter non-dimmable	Converter DALI
Rated Wattage	18.0 W		
Power Loss Converter		4.0 W	3.0 W
Stand-by Consumption			< 0.2 W
Operating Frequency		50/60 Hz	50/60 Hz
Supply Voltage	36 V DC	220-240 V AC	220-240 V AC
Power Factor		0.95	0.98
Input Current	500 mA		
Inrush Current (typ. I <sub>peak</sub> /μs)		15 A / 204 μs	18 A / 140 μs
THD		< 10 %	< 10 %
T <sub>c</sub>	70 °C	75 °C	75 °C
Flicker Percent (< 165 Hz)		< 3 %	< 3 %
Cable Cross Section Input Terminal	0.75 mm <sup>2</sup>	0.5 - 2.5 mm <sup>2</sup>	0.5 - 2.5 mm <sup>2</sup>
Max. Torque		Push terminal	Push terminal

## DIMENSIONS

External Diameter	Ø 188 mm		
Installation Diameter	Ø 150-170 mm		
Length		200 mm	200 mm
Width		70 mm	70 mm
Height	78 mm	31 mm	31 mm
Weight	0.51 kg	0.185 kg	0.203 kg

## GRAPHICS

Version	Max. units per circuit breaker			
	Type	10 A	13 A	16 A
non-dimmable 15 A / 204 μs	B	25	33	40
	C	41	55	66
DALI 18 A / 140 μs	B	22	30	36
	C	36	50	60



**LEDON**  
pioneering light

This luminaire contains built-in LED lamps.

**A++**  
**A+**  
**A**  
**B**  
**C**  
**D**  
**E**

**LED**

The lamps cannot be changed in the luminaire.

874/2012

Find here the instruction manual: <http://www.ledon.at/en/>

Data subject to change  
Last updated on: 18.01.2019