

## BL-201-05-868 ERCO 3x GRP 1x SCENE

**Light controller with fixed functionality: 3x DALI group, each with ON/OFF/DIM and 1x DALI scene Store / Recall**

**Part nr.: 11205**

Interfaces: 1x DALI Master, 1x EnOcean Master bidirectional, supply voltage: 230 V AC



# DALI

The EnOcean-DALI-Controller **BL-201-05-868 ERCO 3xGRP 1xSCENE** is used to control lamps with DALI interfaces by wireless light switches or push buttons, based on EnOcean wireless technology. It has been developed as a special accessory for ERCO light track systems.

The controller provides a DALI master with an integrated DALI power supply for direct connection of up to 17 DALI ballasts/slaves. (Iout max.= 34 mA). In addition, there is an integrated EnOcean wireless transceiver to communicate with one or more light switches.

The device can be mounted like a lamp directly into the light track and is ready for operation immediately. The controller is supplied by the light rail with 230V AC.

## Technical data

### Interfaces

Type	DALI Master
Number	1
Output current	Max. 34 mA (17 slaves)
Output voltage	16V DC (+/- 5%)
Galvanic isolation	Yes
Connection technology	Light track contacts

Type	EnOcean Master
Number	1
Transmit / Receive frequency	868.0 MHz / ASK
Occupied frequency band	868.0 – 868.6 MHz
Maximum transmission power	Typ. 3 dBm @ 868.300 MHz
EN 300200 receiver category	2

### User interfaces

Service button	Yes, 1, housing bottom side
Service LED	1x, red

### Power supply

Supply voltage	230V AC via light track
Power consumption	Typ. 2.8W, max 4.0W

### Environmental conditions

Operating temperature	+5°..+50°C
Storage temperature	-20°..+70°C
Humidity	10..95% rel. Humidity, non condensing
Protection class	IP20

### Dimensions and weight

Weight	150g
Dimensions	138x34x76 mm

### Standards / approvals

CE	2014/53/EU RED directive 2011/65/EU RoHS directive
Approvals / tests	DIN EN 60950-1:2006 + A11:2009 + A1:2010 + A12:2011 + AC:2011 + A2:2013 EN 61000-6-2:2006-03 EN 61000-6-3:2007 + A1:2011 + Cor 1:2012 EN 301 489-1:2016-11 V2.1.1 EN 301 489-3:2016-09 V2.1.0 EN 300 220-2:2016-11 V3.1.1

## Short description

---

### Supply voltage

The BL-201-05-868 ERCO 3x GRP 1x SCENE is supplied with 230 V AC line voltage.

### DALI Master

Der BL-201-05-868 ERCO 3x GRP 1x SCENE provides a DALI master according to the DALI specification. In addition, a DALI power supply is integrated. Up to 17 DALI ballasts ( $I_{max} = 34 \text{ mA}$ ) can be connected to the controller without an additional DALI power supply.

### EnOcean Master / bidirectional

The integrated transceiver of type TCM310 is used to communicate with EnOcean light switches. (RPS Telegram).

### Service button/ Service LED

The BL-201-05-868 ERCO 3x GRP 1x SCENE offers a service button at the bottom of the device to teach in one or more light switches.

By the red service LED, several status informations will be displayed. (see below)

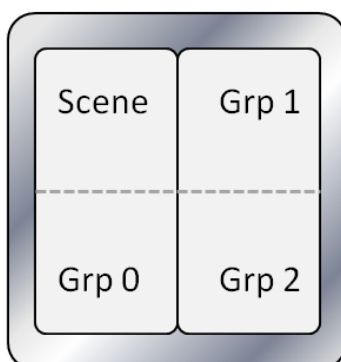
## Controller functions

---

The controller provides the following functionality:

- Double rocker to control up to 17 DALI lamps, each lamp assigned to one of three groups
- 3 buttons of the double rocker to control 0, 1 and 2 separately ON / OFF / DIM
- 1 button to switch of all groups / to store a scene / to recall a scene

The following picture shows the assignment of the function to the 4 button positions of the double rocker of an EnOcean wireless light rocker:

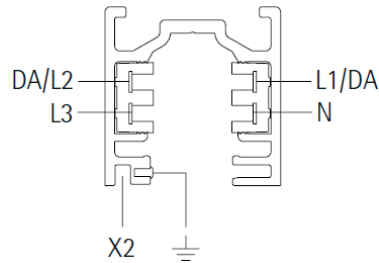


The description of the buttons functionality is described as follows:

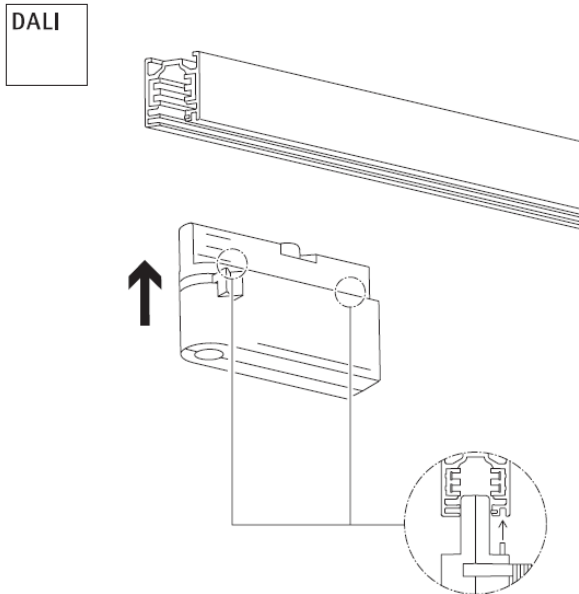
Scene short:	Switch off all lamps, if actually turned on.
Scene short:	Recall the stored scene, if lamps are actually turned off.
Scene long, >5 sec.:	Store the current dim values of all lamps in all groups as a scene.
Grp 0 / 1 / 2 long:	Dim down all lamps of the according group, until button is released or 0% is reached.
Grp 0 / 1 / 2 long	Dim up all lamps of the according group, until button is released or 100% is reached.
Grp 0 / 1 / 2 short (<=0.5 sec.):	Switch on all lamps of a group, if they are actually turned off.
Grp 0 / 1 / 2 short (<=0.5 sec.):	Switch off all lamps of a group, if they are actually turned on.

Installation and start-up

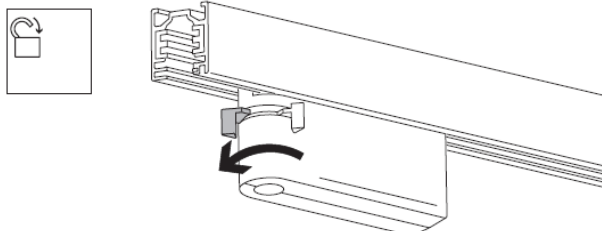
The BL-201-05-868 ERCO 3x GRP 1x SCENE is compatible with all ERCO DALI light tracks. Please take care of the installation and mounting instructions of the manufacturer.



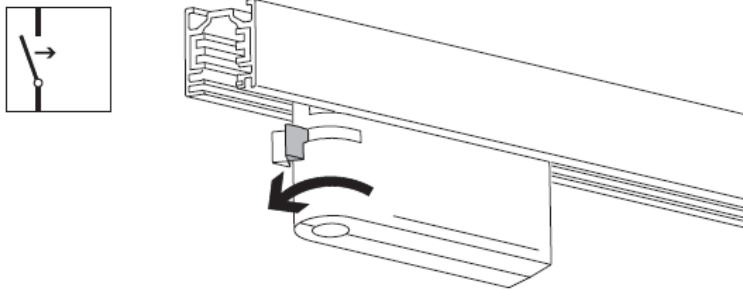
To mount the BL-201-05-868 ERCO 3x GRP 1x SCENE, plug in the module housing into the DALI light track as shown in the following picture. Take care that the two rocker levers are in the unlocked front position.



First, lock the controllers housing in the DALI light track with the first rocker lever, as shown below.



In the second step, set up the electrical connections by turning the second rocker lever into the locked position, as shown below.

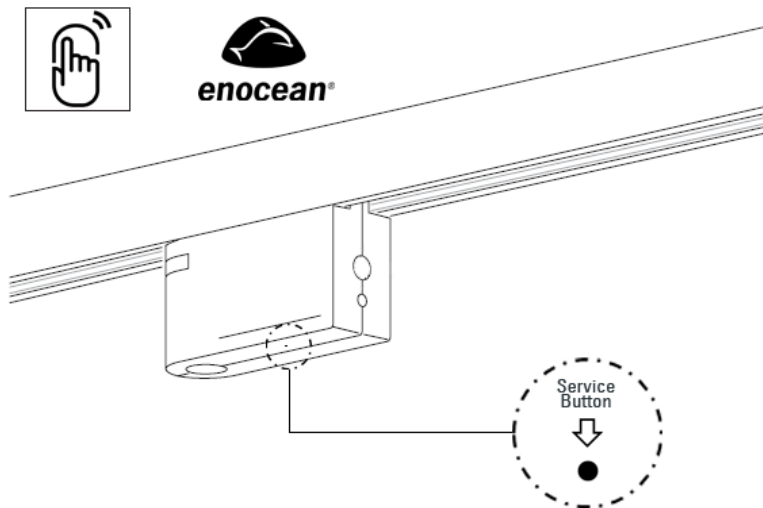


When the installation is done, switch on the light rails power supply, considering the installation and mounting instructions of the manufacturer.

The BL-201-05-868 ERCO 3x GRP 1x SCENE is fully functional within a few seconds.

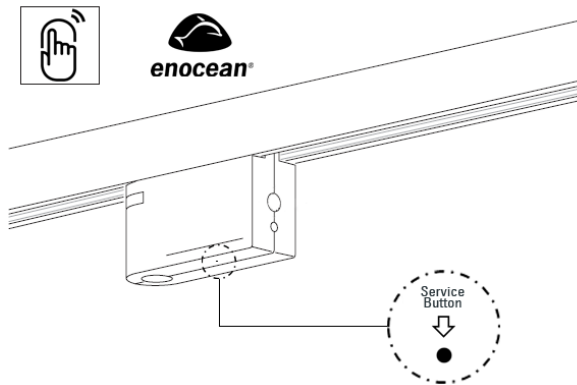
**Reset memory:**

To ensure that no rocker switch is teached in into the controller, hold the service button on the bottom side of the module housing for more than 2 seconds. Use the small tool inside the original module packaging, or a thin inflexible wire. The red LED on the side, in the middle of the type label, will flash once to acknowledge this procedure.

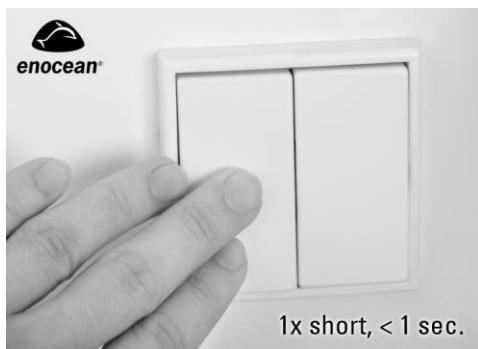


**Teach in of a double rocker:**

Push the service button of the BL-201-05-868 ERCO 3x GRP 1x SCENE again. The red service LED will turn on. Now the controller is ready to teach in a rocker.



Now push the rocker within 20 seconds. In case of success, the red service LED will be turned off immediately. The controller is ready to be used and will work as described above.



1x short, < 1 sec.

### Ordering information

Article text	Part number	Description
BL-201-05-868 ERCO 3xGRP 1xSCENE	11205	EnOcean-DALI-Controller series BL-201 function: 3 groupsON/OFF/DIM 1x scene with double rocker 230V AC, 868 MHz, adapter for ERCO DALI track

### EU Declaration of Conformity

Hereby the DEUTA Controls GmbH declares that the radio equipment type **BL-201-05-868 ERCO 3x GRP 1x SCENE** is compliant with the directive 2014/53/EU. You can download the complete EU Declaration of Conformity as a pdf-document on our homepage [www.deuta-controls.de](http://www.deuta-controls.de) in the area Service/Downloads (Doc. EUDC2017\_108).

Version 42, 09.02.2019