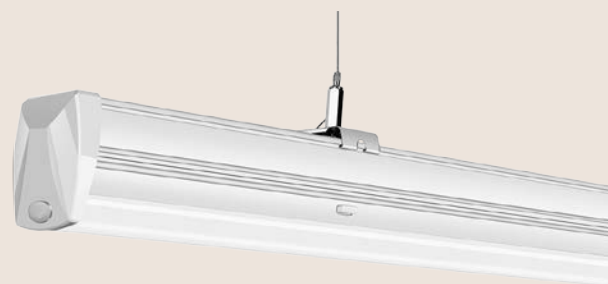


LEDON

pioneering light

LED Linear Lighting System Kopernikus



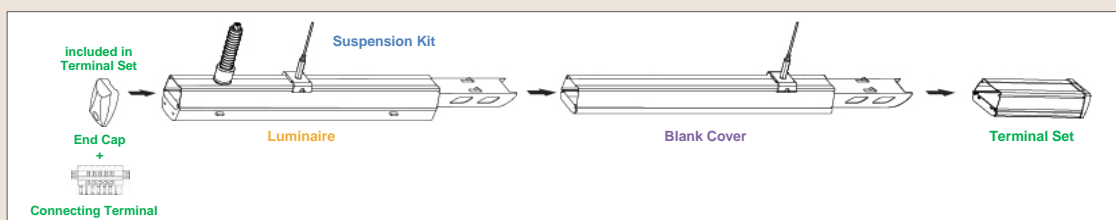
An innovative and flexible plug-in system, specially developed for the illumination of industrial and warehouse halls. The self-locking connector allows tool-free installation of the trunking rail including luminaire. Available in two different lengths, various power classes and with two beam angles.

ITEM DESCRIPTION	ARTICLE CODE	EAN CODE	ARTICLE CODE - 5 PCS	VERSION
LED LLS 1500 5PH 50W/60D/840 230V	29001400	9 009453 011114	29501400	60°, UGR <19, available Q4
LED LLS 1500 5PH 50W/90D/840 230V	29001401	9 009453 011138	29501401	90°
LED LLS 1500 5PH 70W/60D/840 230V	29001402	9 009453 011145	29501402	60°, UGR <19, available Q4
LED LLS 1500 5PH 70W/90D/840 230V	29001403	9 009453 011169	29501403	90°
LED LLS 3000 5PH 100W/60D/840 230V	29001404	9 009453 011183	29501404	60°, UGR <19, available Q4
LED LLS 3000 5PH 100W/90D/840 230V	29001405	9 009453 011206	29501405	90°
LED LLS 3000 5PH 140W/60D/840 230V	29001406	9 009453 011220	29501406	60°, UGR <19, available Q4
LED LLS 3000 5PH 140W/90D/840 230V	29001407	9 009453 011244	29501407	90°

Accessories

LED LLS 1500 5PH BLANK COVER	29001408	9 009453 011268	29501408	
LED LLS 3000 5PH BLANK COVER	29001409	9 009453 011282	29501409	
LED LLS 5PH TERMINAL SET	29001450	9 009453 011664	29501450	
LED LLS SUSPENSION KIT 1x3M	29001453	9 009453 011718	29501453	
LED LLS MOUNTING CLIP	29001454	9 009453 012517	29501454	

Please choose the components you require for your installation:



GENERAL CHARACTERISTICS

Luminaire Materials	Steel, PMMA
Finish	White (RAL9016)
IP Rating	IP20
Shock Resistance	IK08
Rated Lifetime *	50 000 h
Switching Cycles	100 000
Start Time from 0% to 100%	< 0.5 s
Ambient Temperature	-20 °C - +40 °C
Tc Luminaire	65 °C
Mercury Content	0.0 mg
Connection Type	5-pole push-in connector
Recommended Installation Height	3 - 15 m
Guarantee	5 years manufacturer guarantee, 3 years full guarantee

LIGHT CHARACTERISTICS

Rated Luminous Flux	7500 lm	10500 lm	15000 lm	21000 lm
Luminous Efficacy	150 lm/W	150 lm/W	150 lm/W	150 lm/W
Color	Neutral White			
Color Temperature	4000 K			
Color Rendering Index	Ra 80			
Lumen Maintenance Factor (at end of nominal lifetime)	L80 B10			
Beam Angle	60°			90°
Unified Glare Rating **	< 19 UGR		< 22 UGR transversal	

* at an ambient temperature of 25 °C

** X = 4H, Y = 8H, reflectance 70/50/20

ELECTRICAL CHARACTERISTICS

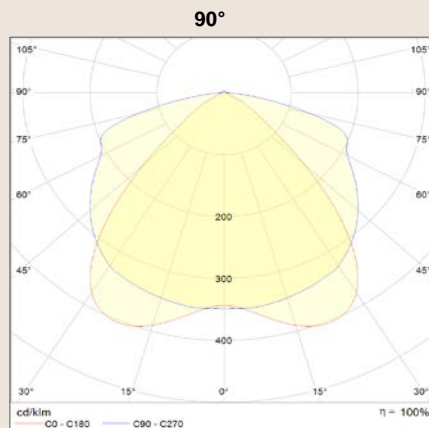
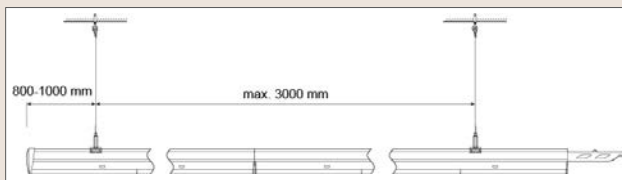
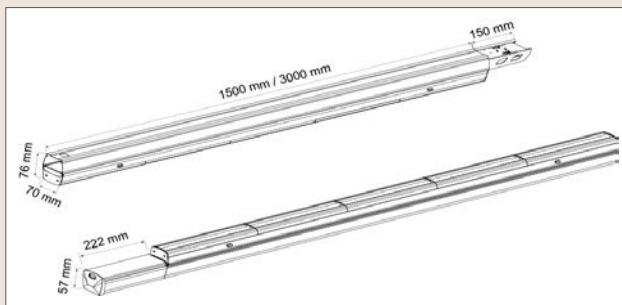
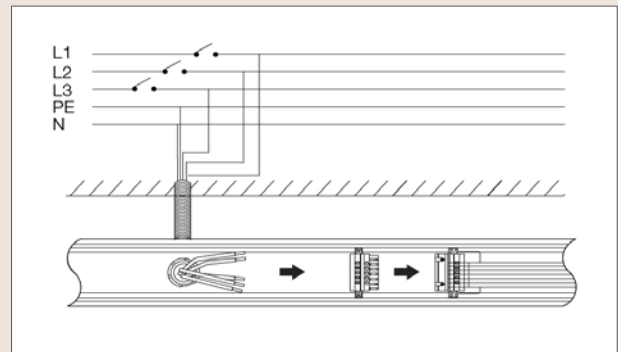
Rated Wattage	50.0 W	70.0 W	100.0 W	140.0 W
Operating Frequency	50/60 Hz			
Supply Voltage	220-240 V AC			
Power Factor	≥ 0.95			
Input Current (measured value)	0.21 A	0.30 A	0.43 A	0.60 A
Input Current (calculated value)	0.22 A	0.30 A	0.44 A	0.61 A
Inrush Current (typ. Ipeak/μs)	28 A / 280 μs	15 A / 50 μs	28 A / 280 μs	15 A / 50 μs
THD	< 20 %			
Flicker Percent (< 165 Hz)	< 5%			
Wiring Diameter	2.5 mm² (L1/L2/L3/N; the others 1.5mm²)			

DIMENSIONS

	1.5 m Luminaire	1.5 m Blank Cover	3.0 m Luminaire	3.0 m Blank Cover
Length	1500 mm	1500 mm	3000 mm	3000 mm
Width	70 mm	70 mm	70 mm	70 mm
Height	76 mm	54 mm	76 mm	54 mm
Weight	3.70 kg	2.10 kg	7.40 kg	4.20 kg

GRAPHICS

Luminaire	Typ. Ipeak/μs	Max. units per circuit breaker				
		Type	10 A	13 A	16 A	20 A
50 W	28 A / 280 μs	B	11	15	18	23
		C	18	25	30	38
70 W	15 A / 50 μs	B	22	28	35	44
		C	24	32	39	48
100 W	28 A / 280 μs	B	5	7	9	11
		C	9	12	15	19
140 W	15 A / 50 μs	B	11	14	18	22
		C	12	16	20	24



LEDON
recessing light

This luminaire contains built-in LED lamps.

A++
A+
A
C
D
F

LED

The lamps cannot be changed in the luminaire.

874/2012