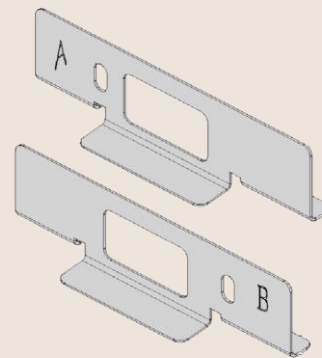


Wall mounting kit for LED panel Galileo

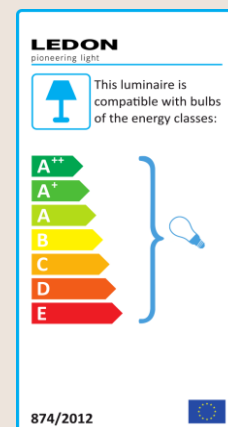
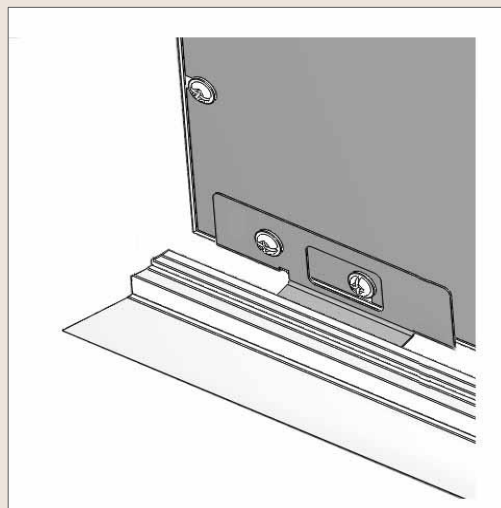
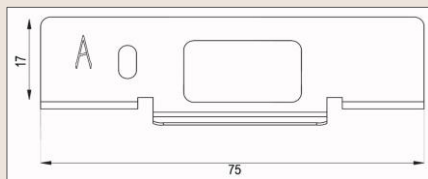
This kit allows an elegant wall mounting of the square LEDON LED panel in the surface mounting kit. Used for an optimal room illumination and flexible design of your room situation. Fix the wall mounting parts directly on the panel and lead it into the track of the surface mounting kit.



ITEM DESCRIPTION	ARTICLE CODE	EAN CODE	FINISH
LED PANEL WALL MOUNTING KIT	29001097	9 009453 008800	Steel
<i>Article is accessory of the surface mounting kit square, including screws</i>			

DIMENSIONS	
Length	75 mm
Width	17 mm
Weight	30 g

GRAPHICS



Find here the instruction manual: <http://www.ledon.at/en/downloads/instruction-manual>

Data subject to change
Last updated on: 03.01.2018