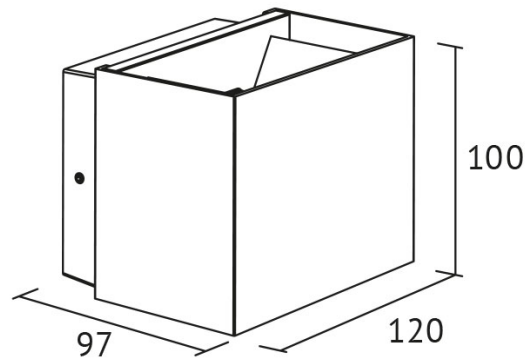


UWL-10WW2EF



Light up with: LED
System power: 10 W
Luminous flux: 499 lm
colour temperature: 3000 K
colour rendering index: CRI >80
beam angle: 15°-120° °
Power supply: with power supply
connection voltage: 230 V
system efficiency: 50 lm/W
energy efficiency: A++-A
protection class: 1
test certificates: CE
weight: 0,649 kg
colour: black
material: die-cast aluminum
protection type: IP65
dimension: L=120*W=97*H=100 mm

Adresse/Kontakt