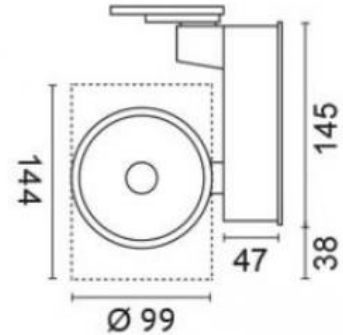


## Data sheet Track Spotlights BWS40 DALI



### Technical data:

Colour temperature	2700K				3000K				3500K				4000K			
Beam angle	15°	24°	40°	60°	15°	24°	40°	60°	15°	24°	40°	60°	15°	24°	40°	60°
Luminous flux lm	3330	3309	3469	3355	3463	3442	3608	3490	3513	3491	3660	3540	3516	3494	3663	3493
System efficacy (lm/W)	83	82	86	84	86	86	90	87	87	87	91	88	87	87	91	87
UGR	18	18	18,55	18	18,15	17,9	18,75	*	*	*	*	*	18,3	18,25	18,85	18,8

\*Data not available yet

- Quantity lamps : 1
- Light up with : CoB-LED
- System power : 40 W
- Colour rendering index : CRI >90
- pivotable : 130 °
- With power supply
- Connection voltage : 220-240 V
- Operating current : 1050 mA
- Energy efficacy : A++ - A
- Protection class : 1
- Test certificate : CE
- Outside diameter : 99 mm
- Weight : 1,60 KG
- Dimension : L=144mm
- INFO : with electronic 3-phase adapter
- Material : body in coated die cast-aluminium, clear glas