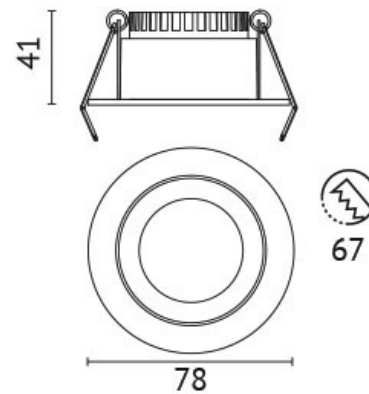


DIL-AU1



outside diameter: 78 mm
wall and ceiling cut: 67 mm
installation depth: 41 mm
weight: 0,101 KG
colour: white
dimension: H=41 mm

Adresse/Kontakt