

## DALI CW-WW PWM

### Datasheet Control Gear



DALI Device Type 8  
LED Dimmer (CV) for adjustable  
White LED-Module

Art. Nr. 89453836 (4A)

Art. Nr. 86458673 (8A)

Art. Nr. 89453838 (10A)

Art. Nr. 89453841 (16A)

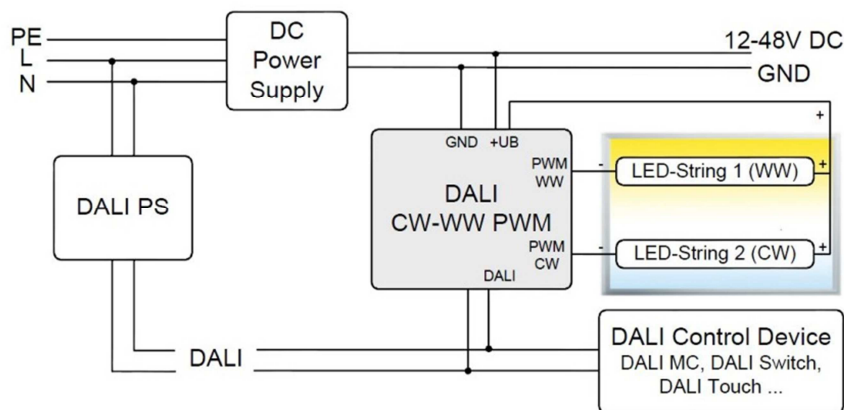
# DALI CW-WW PWM Control Gear

## Overview

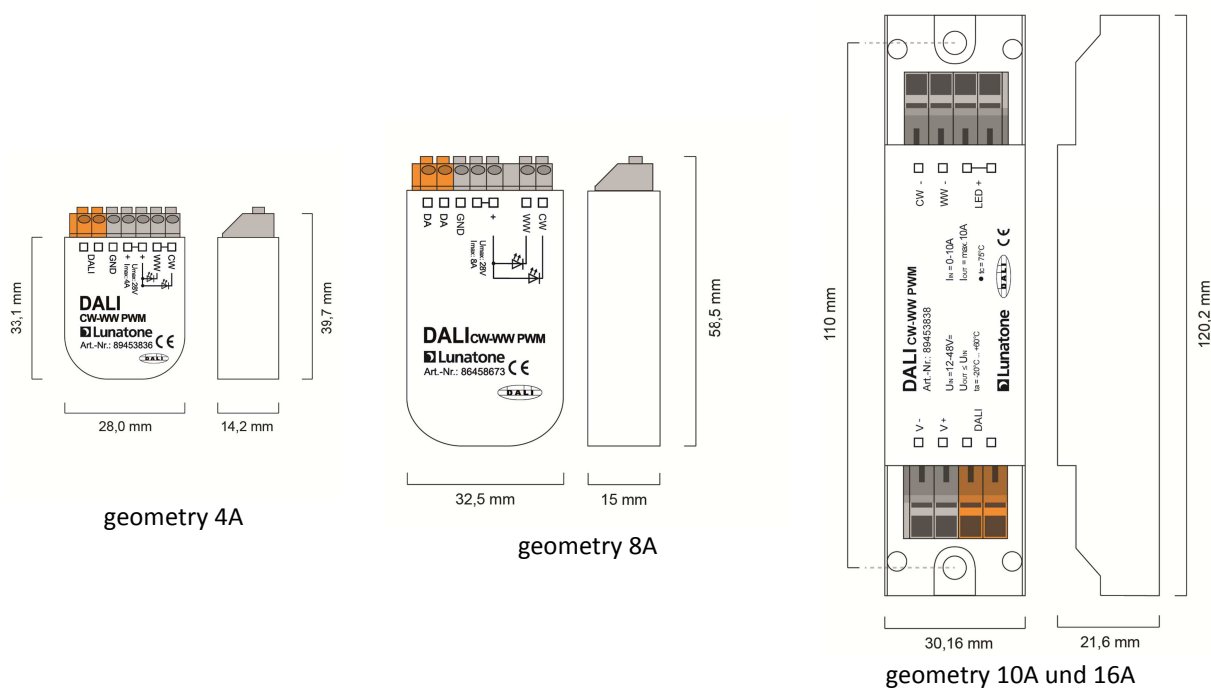
- LED-Dimmer with colour temperature adjustment.
- For direct control of dynamic white LEDs with shared positive terminal, adjustable from warm white to cold white.
- The device has got a shared DALI address for both channels (Device Type 8).
- Color temperature adjustment according to DALI specifications of Device Type 8, Colour Type Tc.
- Suitable for controlling constant-voltage LED modules.
- Supply voltage 12V or 24V DC, 48V type available on request.
- Configuration via DALI-Cockpit software tool and DALI USB interface.
- 3 types of housing.
- Depending on product-type the maximal input current must not exceed 4A, 8A, 10A, or 16A.
- The maximum input current can be distributed at will on the channels, however the sum must not exceed the maximum input current.

## Specification, Characteristics

type	DALI CW WW PWM			
article number	89453836	86459673	89453838	89453841
power supply	12VDC-24VDC, 48V upon request			
maximum input current	4A	8A	10A	16A
control input	DALI			
ambient temperature	-15°C-50°C			
protection class	IP20			
default state after power return	depending on DALI settings			
max. connecting wire cross section	2.5 mm <sup>2</sup>			
geometry (L x W x H)	40mmx28mmx14mm	59mmx33mmx15mm	120mmx30mmx21mm	



typical structure



## Additional Information and Equipment

DALI-Cockpit – free configuration tool from Lunatone for DALI systems  
<http://lunatone.at/en/dali-systems/software/>

DALI-Manual [http://www.dali-ag.org/c/manual\\_gb.pdf](http://www.dali-ag.org/c/manual_gb.pdf)

DALI USB – PC interface for DALI system. The DALI-Cockpit can access DALI components using the DALI USB  
[http://lunatone.at/en/downloads/Lunatone\\_Art24138923\\_DALI\\_USB\\_Datasheet\\_EN.pdf](http://lunatone.at/en/downloads/Lunatone_Art24138923_DALI_USB_Datasheet_EN.pdf)

## Contact

Technical Support: [support@lunatone.com](mailto:support@lunatone.com)

Requests: [sales@lunatone.com](mailto:sales@lunatone.com)

[www.lunatone.com](http://www.lunatone.com)



## Disclaimer

Subject to change. Information provided without guarantee. The datasheet refers to the current delivery.

The function in installations with other devices must be tested for compatibility in advance.