

DALI RGB-PWM

Datasheet Control Gear

DALI Device Type 8 LED Dimmer
with RGB colour adjustment



- Art. Nr 89453837 (4A)
- Art. Nr. 86458514 (8A)
- Art. Nr. 89453839 (10A)
- Art. Nr. 89453842 (16A)

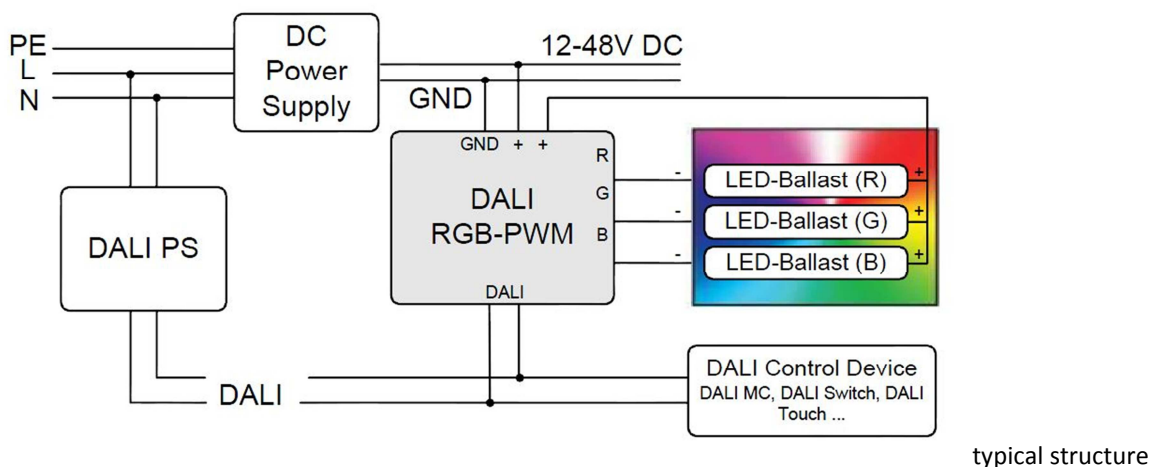
DALI RGB-PWM Control Gear

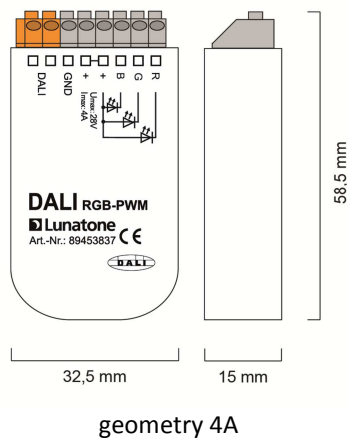
Overview

- LED-Dimmer with RGB adjustment.
- Control of three PWM-terminals for red, green and blue via DALI (DT8, colour reproduction RGBWAF).
- The device is being controlled via a single DALI address (DT8).
- Separated adjustment of brightness and colour (operating mode: Normalized, Unlinked).
- Suitable for controlling constant-voltage LED modules.
- Supply voltage 12V or 24V DC, 48V type available on request.
- Configuration via DALI-Cockpit software tool and DALI USB interface.
- 2 types of housing.
- Depending on product-type the maximal input current must not exceed 4A, 8A, 10A, or 16A.
- The maximum input current can be distributed at will on the channels, however the sum must not exceed the maximum input current.

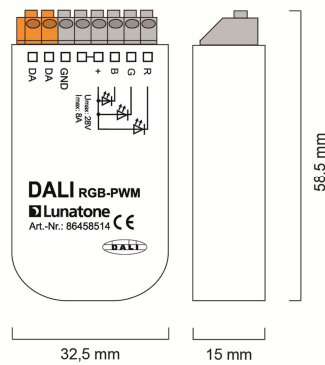
Specification, Characteristics

| type | DALI RGB PWM | | | |
|------------------------------------|-------------------------------|----------------|-----------------|----------|
| article number | 89453837 | 86458514 | 89453839 | 89453842 |
| power supply | 12VDC-24VDC, 48V upon request | | | |
| maximum input current | 4A | 8A | 10A | 16A |
| control input | DALI | | | |
| ambient temperature | -15°C-50°C | | | |
| protection class | IP20 | | | |
| default state after power return | depending on DALI settings | | | |
| max. connecting wire cross section | 2.5 mm ² | | | |
| geometry (L x W x H) | 40mmx28mmx14mm | 59mmx33mmx15mm | 120mmx30mmx21mm | |

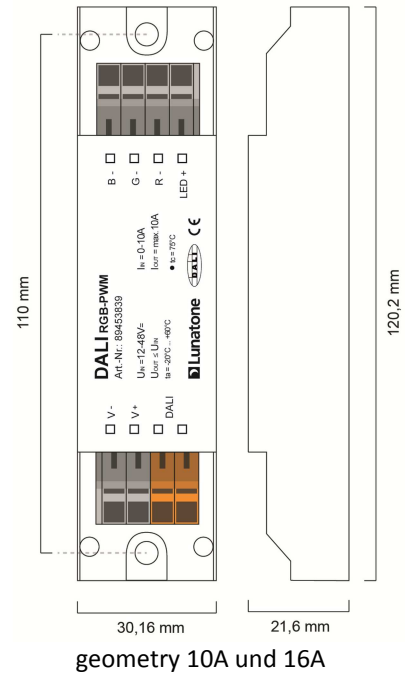




geometry 4A



geometry 8A



geometry 10A und 16A

Additional Information and Equipment

DALI-Cockpit – free configuration tool from Lunatone for DALI systems
<http://lunatone.at/en/dali-systems/software/>

DALI-Manual http://www.dali-ag.org/c/manual_gb.pdf

DALI USB – PC interface for DALI system. The DALI-Cockpit can access DALI components using the DALI USB
http://lunatone.at/en/downloads/Lunatone_Art24138923_DALI_USB_Datasheet_EN.pdf

Contact

Technical Support: support@lunatone.com

Requests: sales@lunatone.com

www.lunatone.com



Disclaimer

Subject to change. Information provided without guarantee. The datasheet refers to the current delivery.

The function in installations with other devices must be tested for compatibility in advance.