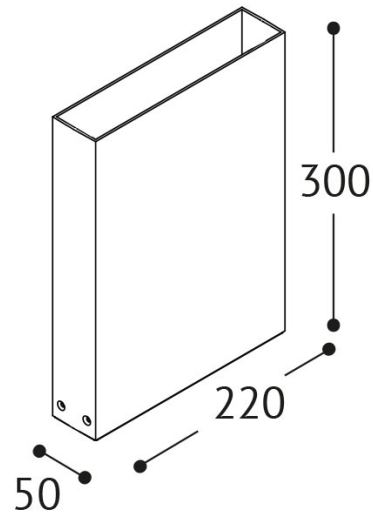


Z-PMET08



test certificates: CE

weight: 1,343 kg

colour: Ibiza sand

material: die-cast aluminum

dimension: L=220*W=50*H=300 mm

Adresse/Kontakt