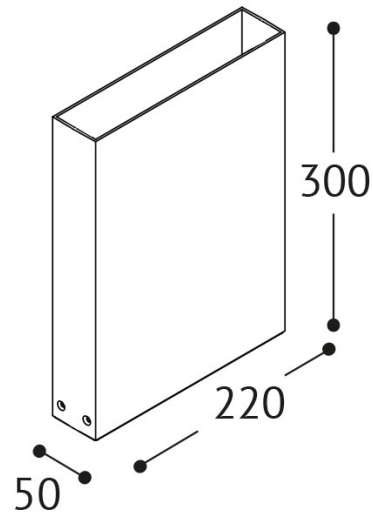


## Z-PMET6



**test certificates:** CE

**weight:** 1,343 kg

**colour:** graphite

**material:** die-cast aluminum

**dimension:** L=220\*W=50\*H=300 mm

### Adresse/Kontakt