

## BL-201-12-868 ERCO FLEX, EnOcean-DALI-Controller

Light controller, free configurable with BL-PC-FLEX-2 software tool

Part nr.: 11236

Interfaces:

1x DALI Master, 1x EnOcean bi-directional, supply voltage: 230 V AC



DALI

The EnOcean-DALI-Controller **BL-201-12-868 ERCO FLEX** is used to control lamps with DALI interfaces by wireless light switches or push buttons, based on EnOcean wireless technology. It has been developed as a special accessory for ERCO light track systems.

The controller provides a DALI master with an integrated DALI power supply for direct connection of up to 17 DALI ballasts/slaves. (Iout max.= 34 mA). In addition, there is an integrated EnOcean wireless transceiver to communicate with one or more light switches.

The device can be mounted like a lamp directly into the light track and is ready for operation immediately. The controller is supplied by the light rail with 230V AC.

## Technical data

### Interfaces

Type	DALI Master
Number	1
Output current	Max. 34 mA (17 slaves)
Output voltage	16V DC (+/- 5%)
Galvanic isolation	Yes
Connection technology	Light track contacts

Type	EnOcean
Number	1
Transmit / Receive frequency	868.0 MHz / ASK
Occupied frequency band	868.0 – 868.6 MHz
Maximum transmission power	Typ. 3 dBm @ 868.300 MHz
EN 300200 receiver category	2

### User interfaces

Service button	Yes, 1, housing bottom side
Service LED	1x, red

### Power supply

Supply voltage	230V AC via light track
Power consumption	Typ. 2.8W, max 4.0W

### Environmental conditions

Operating temperature	+5°..+50°C
Storage temperature	-20°..+70°C
Humidity	10..95% rel. Humidity, non condensing
Protection class	IP20

### Dimensions and weight

Weight	150g
Dimensions	138x34x76 mm

### Standards / approvals

CE	2014/53/EU RED directive 2011/65/EU RoHS directive
Approvals / tests	EN 60950-1:2006 + A11:2009 + A1:2010 + A12:2011 + AC:2011 + A2:2013 ETSI EG 203 367 DIN/EN 55032 EN/IEC 61000-4-2 EN/IEC 61000-4-3 EN/IEC 61000-4-4 EN/IEC 61000-4-5 EN/IEC 61000-4-6

**Table of supported EEP (EnOcean Equipment Profile) (08.04.2020)**

Lfd. Nr.	EEP	Beschreibung
1	F6-02-01	Light and Blind Control - Application Style 1
2	F6-02-02	Light and Blind Control - Application Style 2
3	F6-02-03	Light Control - Application Style 1
4	A5-07-01	Occupancy with Supply voltage monitor
5	A5-07-02	Occupancy with Supply voltage monitor
6	A5-07-03	Occupancy with Supply voltage monitor and 10-bit illumination measurement
7	A5-06-01	Light Sensor, range 300lx to 60.000lx
8	A5-06-02	Ligth sensor, range 0lx to 1.020lx
9	A5-08-01	Range 0lx to 510lx, 0°C to +51°C and Occupancy Button

**Short description**
**Supply voltage**

The BL-201-12-868 ERCO FLEX is supplied with 230 V AC line voltage.

**DALI Master**

The BL-201-12-868 ERCO FLEX provides a DALI master according to the DALI specification. In addition, a DALI power supply is integrated. Up to 17 DALI ballasts (Imax = 34 mA) can be connected to the controller without an additional DALI power supply.

**EnOcean**

The integrated transceiver of type TCM310 is used to communicate with EnOcean sensors (see table above). At the same time, when used in transparent mode, it sends reply messages received from DALI ballasts / drivers by the EnOcean interface.

**Service button/ Service LED**

The BL-201-12-868 ERCO FLEX has a service button. This button has actually no function. By the red service LED, several status information will be displayed (see below).

**Controller functions**

The EnOcean-DALI-Controller BL-201-10-868 ERCO FLEX has to be configured with the PC configuration tool BL-PC-FLEX-2 (formerly BL-PC-FLEX) wireless with an EnOcean USB stick.

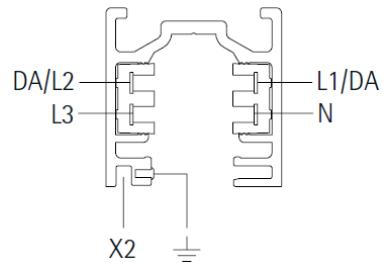
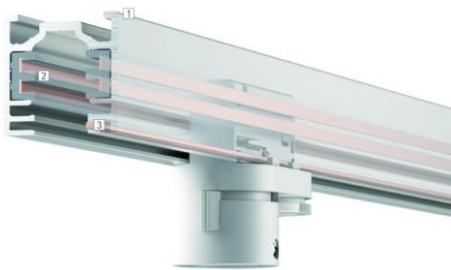
Many functions are available, for example DALI address assignment, DALI group assignment, timer and DALI scene setup.

You can configure light switches, ambient light sensors and motion detectors to control the connected DALI ballasts. For a detailed description of the FLEX functionality, please read the manual of the BL-PC-FLEX-2 software.

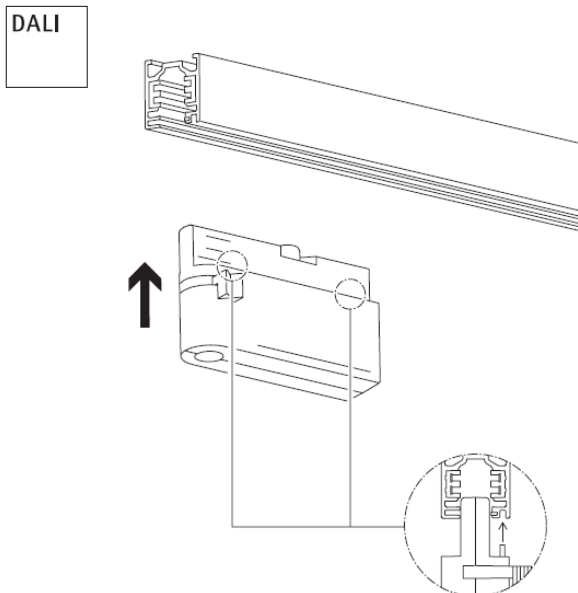
You will find the documentation on our homepage [www.deuta-controls.net](http://www.deuta-controls.net). Once you have installed the software, you will find the manuals in the tool bar under „Show Help“.

## Installation and start-up

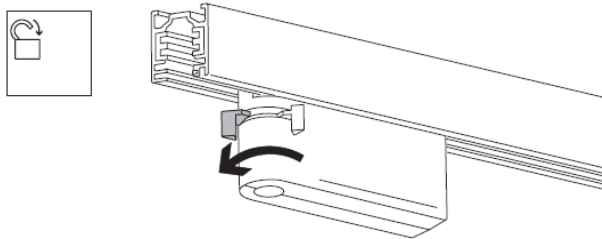
The BL-201-12-868 ERCO FLEX is compatible with all ERCO DALI light tracks. Please take care of the installation and mounting instructions of the manufacturer.



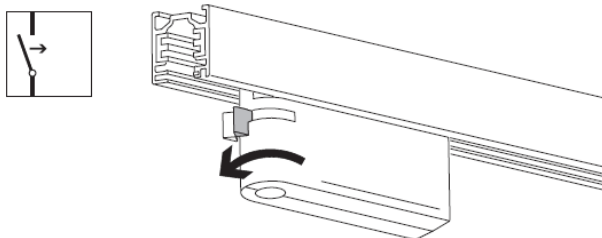
To mount the BL-201-12-868 ERCO FLEX, plug the module housing into the DALI light track as shown in the following picture. Take care that the two rocker levers are in the unlocked front position.



First, lock the controllers housing in the DALI light track with the first rocker lever, as shown below.



In the second step, set up the electrical connections by turning the second rocker lever into the locked position, as shown below.



When the installation is done, switch on the light rails power supply, according to the installation and mounting instructions of the manufacturer. The BL-201-12-868 ERCO FLEX is fully functional within a few seconds.

### Ordering information

Article text	Part number	Description
BL-201-12-868 ERCO FLEX	11236	EnOcean-DALI-Controller series BL-201 function: 3 groups ON/OFF/DIM 1x scene with double rocker 230V AC, 868 MHz, adapter for ERCO DALI track

### EU Declaration of Conformity

Hereby the DEUTA Controls GmbH declares that the radio equipment type **BL-201-12-868 ERCO FLEX** is compliant with the directive 2014/53/EU. You can download the complete EU Declaration of Conformity as a pdf-document on our homepage [www.deuta-controls.de](http://www.deuta-controls.de) in the area Service/Downloads (Doc. EUDC2020\_150).

Version 20, 10.04.2020