

## BL-211-00-868 UP SWITCH, EnOcean-Adapter for standard switches and push buttons

EnOcean adapter with fixed functionality: Conversion of a standard closing contact into EnOcean RPS telegram

Part nr.: 11302

Interfaces:

1x EnOcean, 1x input for potential-free closing contact, supply voltage: 230 V AC



The EnOcean-Adapter **BL-211-00-868 UP SWITCH** is used to generate an EnOcean telegram (RPS) using a standard light switch or push button.

In this way, any kind of light switch can be used to control EnOcean actuators of sun-blinds or light controllers.

## Technical data

### Interfaces

Type	Digital input for potential-free closing contact
Number	1
Output current	Max. 30 mA
Output voltage	Typ. 16V DC (+/- 5%)

Type	EnOcean Master
Number	1
Transmit / Receive frequency	868.0 MHz / ASK
Occupied frequency band	868.0 – 868.6 MHz
Maximum transmission power	Typ. 3 dBm @ 868.300 MHz
EN 300200 receiver category	2

### User interfaces

Service button	Yes, 1, at the front
Service LED	1x, red

### Housing / connectors

Connection technology	Screw contacts, max. 1,0mm <sup>2</sup> flexible with cable end sleeves, or 1,5mm <sup>2</sup>
Housing	UL-V0, black, for in-wall housing

### Power supply

Supply voltage	230V AC
Power consumption	Typ.1.6W, max 2.5W

### Environmental conditions

Operating temperature	+5°..+50°C
Storage temperature	-20°..+70°C
Humidity	10..95% rel. Humidity, non condensing
Protection class	IP20

### Dimensions and weight

Weight	40g
Dimensions	51x51x33 mm

### Standards / approvals

CE	2014/53/EU RED directive 2011/65/EU RoHS directive
Approvals / tests	EN 60950-1:2006 + A11:2009 + A1:2010 + A12:2011 + AC:2011 + A2:2013 ETSI EG 203 367 DIN/EN 55032 EN/IEC 61000-4-2 EN/IEC 61000-4-3 EN/IEC 61000-4-4 EN/IEC 61000-4-5 EN/IEC 61000-4-6

---

**Table of supported EEP (EnOcean Equipment Profile) (08.04.2020)**

---

Cons. nr.	EEP	Beschreibung
1	F6-02-01	Light and Blind Control - Application Style 1

---

**Short description**

---

**Supply voltage**

The BL-211-00-868 UP SWITCH is supplied with 230 V AC line voltage.

**EnOcean**

The integrated transceiver of type TCM310 is used to communicate with EnOcean actuators or controllers (RPS Telegram).

**Service button / Service LED**

The BL-211-00-868 UP SWITCH has a service button to toggle between the two operating modes PUSH BUTTON and SWITCH. By the red service LED, several status informations will be displayed.

---

**Function**

---

**Operating mode „SWITCH“**

A light switch is connected to the inputs 1 and 2 of the BL-211-00-868 UP SWITCH. When pushing the switch, and the contact is closed, two EnOcean telegrams will be send consecutively, for "A1 pressed" and approx. 500ms later for "A1 released".

When opening the contact again, two telegrams will be send consecutively, first "A0 pressed" and approx. 500ms later for "A0 released".

**Operating mode „PUSH BUTTON“**

When a push button (normally open) is connected to inputs 1 and input 2 of the BL-211-00-868 UP SWITCH, push / release of the push button sends the corresponding telegrams, for "A1 pressed" and for "A1 released".

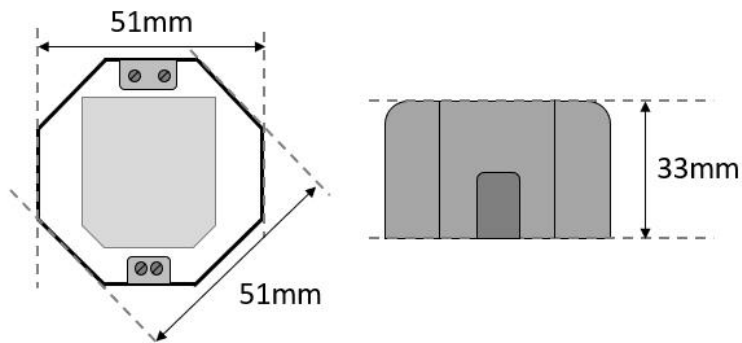
**Selecting the operating mode:**

Pressing the service button of the BL-211-00-868 UP SWITCH will toggle between the operating modes "SWITCH" and "PUSH BUTTON".

---

**Dimensions**

---

**Ordering information**

Article text	Part number	Description
BL-211-00-868 UP SWITCH	11302	BL-211 EnOcean adapter for the conversion of a standard potential-free closing contact (light switch or push button) into EnOcean standard telegram (RPS), 230V AC, 868 MHz, in-wall housing

---

**EU Declaration of Conformity**

Hereby the DEUTA Controls GmbH declares that the radio equipment type **BL-211-00-868 UP SWITCH** is compliant with the directive 2014/53/EU. You can download the complete EU Declaration of Conformity as a pdf-document on our homepage [www.deuta-controls.de](http://www.deuta-controls.de) in the area Service/Downloads (Dok. EUDC2020\_152).

Version 20, 10.04.2020

---