
BL-212-00-868 UP MOTION, EnOcean-Adapter for standard motion detectors

Conversion of a standard switching output 230V AC into EnOcean motion detector telegram,
(EEP: A5-07-01)

Part nr.: 11305

Interfaces:

1x EnOcean, supply voltage: 230 V AC



The EnOcean-Adapter **BL-212-00-868 UP MOTION** is used for example to convert the 230V AC output of a motion detector into a standard EnOcean motion detector telegram.

In this way, any standard non-wireless motion detector can be used for operating EnOcean actuators or light controllers.

Technical data

Interfaces

Type	Reserved, pin 1 and 2 reserved for future use, do not connect
Number	-
Output current	-
Output voltage	-

Type	EnOcean Master
Number	1
Transmit / Receive frequency	868.0 MHz / ASK
Occupied frequency band	868.0 – 868.6 MHz
Maximum transmission power	Typ. 3 dBm @ 868.300 MHz
EN 300200 receiver category	2

User interfaces

Service button	Yes, 1, at the front
Service LED	1x, red

Housing / connectors

Connection technology	Screw contacts, max. 1,0mm ² flexible with cable end sleeves, or 1,5mm ²
Housing	UL-V0, black, for in-wall housing

Power supply

Supply voltage	230V AC
Power consumption	Typ.1.6W, max 2.5W

Environmental conditions

Operating temperature	+5°..+50°C
Storage temperature	-20°..+70°C
Humidity	10..95% rel. Humidity, non condensing
Protection class	IP20

Dimensions and weight

Weight	40g
Dimensions	51x51x33 mm

Standards / approvals

CE	2014/53/EU RED directive 2011/65/EU RoHS directive
Approvals / tests	EN 60950-1:2006 + A11:2009 + A1:2010 + A12:2011 + AC:2011 + A2:2013 ETSI EG 203 367 DIN/EN 55032 EN/IEC 61000-4-2 EN/IEC 61000-4-3 EN/IEC 61000-4-4 EN/IEC 61000-4-5 EN/IEC 61000-4-6

Table of supported EEP (EnOcean Equipment Profile) (08.04.2020)

Cons. nr.	EEP	Beschreibung
1	A5-07-01	Occupancy with supply voltage monitor

Short description

Supply voltage

The BL-212-00-868 UP MOTION is supplied with 230 V AC line voltage.

EnOcean Master / bidirectional

The integrated transceiver of type TCM310 is used to communicate with EnOcean actuators or controllers.

Service button / Service LED

The BL-212-00-868 UP MOTION has a service button for sending the telegram necessary to teach in an EnOcean actuator or our PC Software BL-PC-FLEX-2 (formerly BL-PC-FLEX).

By the red service LED, several status informations will be displayed. (see below)

Function

When the BL-212-00-868 UP MOTION is supplied with 230 V AC line voltage, it is ready for use immediately.

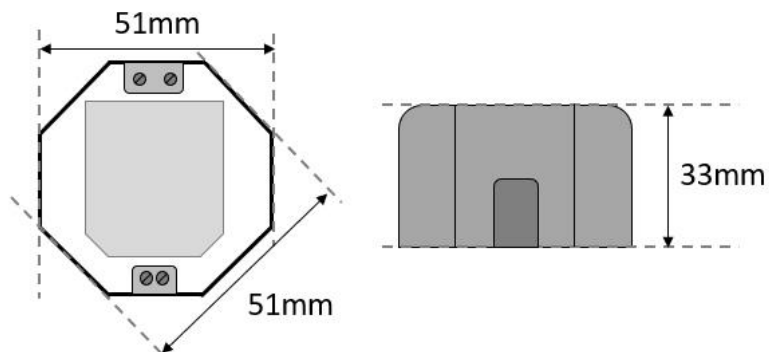
It sends an EnOcean Telegram (EEP: A5-07-01) every 5 seconds.

The switch-off delay time of the actuator / lamp can be configured at the actuator or with our Software BL-PC-FLEX-2 by the setting of a timer.

Teaching in of an actuator or PC software BL-PC-FLEX-2

Press the service button of the BL-212-00-868 UP MOTION shortly. An EnOcean teaching telegram will be sent immediately.

Dimensions


Ordering information

Article text	Part number	Description
BL-212-00-868 UP MOTION	11305	BL-212 EnOcean adapter for the Conversion of a standard switching output (230V AC) of a standard motion detector into EnOcean standard telegram (EEP: A5-07-01), 230V AC, 868 MHz, in-wall housing

EU Declaration of Conformity

Hereby the DEUTA Controls GmbH declares that the radio equipment type **BL-212-00-868 UP MOTION** is compliant with the directive 2014/53/EU. You can download the complete EU Declaration of Conformity as a pdf-document on our homepage www.deuta-controls.de in the area Service/Downloads (Doc. EUDC2020_153).

