

FEATURES

- Reliable solution without power supply
- Smooth flicker-free dimming to 0,1%
- Practically no inrush current
- Warm dim version available



LV 18° / 37° / 60°



LV 80° (On request)

COLOURS

Available colours:



Nr	Housing	Inside ring
	RAL 9016	
XX=61	Matt white	Gold
XX=63	Matt white	Silver
XX=62	Matt white	Black
XX=65	Matt white	White



Nr	Housing	Inside ring
	RAL 9005	
XX=71	Matt black	Gold
XX=74	Matt black	Silver
XX=72	Matt black	Black
XX=76	Matt black	White

Vector 145 LV

Surface mounted

SPECIFICATIONS

Beam angle (FWHM)	18° / 37° / 60° (80° on request)
Fixture material	Housing: Die cast aluminium / Reflector glass: Polycarbonate
Environment	Indoor
IK rate	IK03
Operating temperature (Ta)	-20°C / +45°C
Safety marks	EN60598 / EN62031 / EN62471
EMC compliance	EN55015
Colour consistency (SDCM)	MacAdam step 3
Warranty	7 years * (within the European Union and the countries of the Free Trade Association for products delivered after 1 May 2015)
Energy class	A

This luminaire contains built-in LED lamps. There are no exchangeable parts inside the luminaire. EU 874/2012



Ask our sales department about the possibilities for:
- Extra LED options from the LUXEON Stylist Series

IP20

CRI97 VARIATIONS

Vector 145 LV 2700K CRI97 1625LM	page 3
Vector 145 LV 3000K CRI97 1800LM	page 4
Vector 145 LV 4000K CRI97 1925LM	page 5

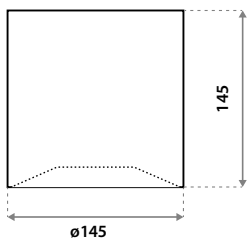
CRI97 CHOOSE YOUR LV LUMEN OUTPUT

	mA	W	Lumen Output			Lumen / Watt			Driver types				
			2700K	3000K	4000K	2700K	3000K	4000K	No dim	Triac	1-10V&Push	Dali	Casambi
Special request	125	5,0	475	500	525	95	100	105	127570	x	x	x	x
Special request	150	6,1	550	575	625	91	95	103	127570	x	x	x	x
Special request	200	8,1	700	750	825	86	93	102	127570	x	x	x	x
Special request	250	9,8	850	900	1000	87	92	102	127570	x	x	127576	127630
Special request	300	12,0	1050	1100	1200	88	92	100	127570	x	123400	127576	127630
Special request	350	13,8	1150	1250	1350	83	91	98	127570	127030	123400	127576	127630
Special request	400	15,8	1300	1425	1550	82	90	98	127570	x	123400	127576	127630
Special request	450	18,0	1475	1600	1750	82	89	97	127570	x	123400	127576	127630
Standard	500	20,1	1625	1800	1925	81	89	96	122198 1	127032	123400	123403 1	x

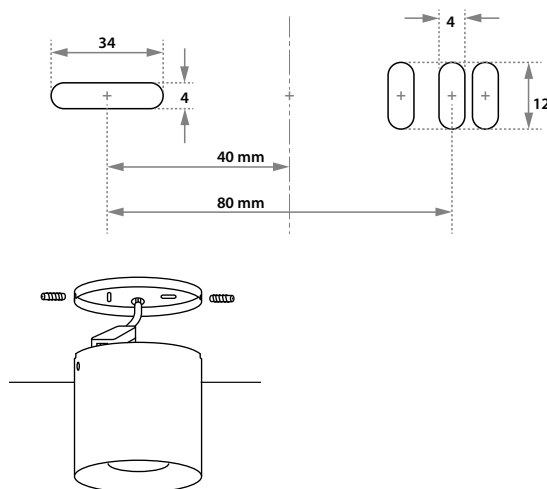
CRI80 ON REQUEST

	mA	W	Lumen Output			Lumen / Watt			Driver types				
			2700K	3000K	4000K	2700K	3000K	4000K	No dim	Triac	1-10V&Push	Dali	Casambi
Special request	125	5,0	575	625	650	115	125	130	127570	x	x	x	x
Special request	150	6,1	700	750	775	115	123	128	127570	x	x	x	x
Special request	200	8,1	925	975	1025	114	120	127	127570	x	x	x	x
Special request	250	9,8	1125	1175	1225	115	120	125	127570	x	x	127576	127630
Special request	300	12,0	1350	1425	1500	113	119	125	127570	x	123400	127576	127630
Special request	350	13,8	1550	1625	1700	112	118	123	127570	127030	123400	127576	127630
Special request	400	15,8	1775	1850	1925	112	117	122	127570	x	123400	127576	127630
Special request	450	18,0	1950	2025	2100	108	113	117	127570	x	123400	127576	127630
Special request	500	20,1	2175	2250	2325	108	112	116	122198 1	127032	123400	123403 1	x

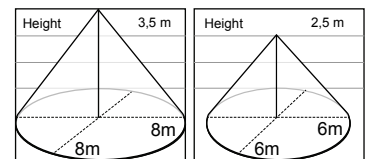
DIMENSIONS



FIXATION DIMENSIONS



DETECTION AREA



VECTOR 145 LV

CRI97 1625LM

ITEM SPECIFICATIONS (PART A)

Description	18°		37°		60°		Type	mA	Vf
	Item code	UGR	Item code	UGR	Item code	UGR			
Vector 145 LV 1625Lm 2700K No dim	7D1B03XX8J02	15.8	7D1B03XX8M02	15.3	7D1B03XX8Q02	18.3	Incl. PSU	500	35,3
Vector 145 LV 1625Lm 2700K Triac dim	7D1B03XXA102	15.8	7D1B03XXA402	15.3	7D1B03XXA702	18.3	Incl. PSU	500	35,3
Vector 145 LV 1625Lm 2700K 1-10V & Push	7D1B03XXD102	15.8	7D1B03XXD402	15.3	7D1B03XXD702	18.3	Incl. PSU	500	35,3
Vector 145 LV 1625Lm 2700K Dali	7D1B03XX1L02	15.8	7D1B03XX1P02	15.3	7D1B03XX1S02	18.3	Incl. PSU	500	35,3

ITEM SPECIFICATIONS (PART B)

Description	W	Lm	Lm/W	CRI (typ.)	Pf	Ripple	Inrush current	B-16A Fuse	Safety class	Energy class
Vector 145 LV 1625Lm 2700K No dim	20,1	1625	81	97	0.95	<3%	5A 50µS	50 pcs	II	A
Vector 145 LV 1625Lm 2700K Triac dim	20,1	1625	81	97	0.95	<20%	2A 50µS	50 pcs	II	A
Vector 145 LV 1625Lm 2700K 1-10V & Push	20,1	1625	81	97	0.95	<3%	5A 50µS	50 pcs	II	A
Vector 145 LV 1625Lm 2700K Dali	20,1	1625	81	97	0.95	<3%	5A 50µS	50 pcs	II	A

ITEM SPECIFICATIONS (PART C)

Description	Weight	Dimensions single carton	Quantity per carton	Expected lifespan (25°C)		
				L70B50	L80B50	L90B50
Vector 145 LV 1625Lm 2700K	1200 gr	185x185x160 mm	12 pcs	165.000 hrs	105.000 hrs	51.000 hrs

All values are measured at 230V (+/- 7%)

VECTOR 145 LV

CRI97 1800LM

ITEM SPECIFICATIONS (PART A)

Description	18°		37°		60°		Type	mA	Vf
	Item code	UGR	Item code	UGR	Item code	UGR			
Vector 145 LV 1800Lm 3000K No dim	7D1B03XX8K02	16.2	7D1B03XX8N02	15.7	7D1B03XX8R02	18.7	Incl. PSU	500	35,3
Vector 145 LV 1800Lm 3000K Triac dim	7D1B03XXA202	16.2	7D1B03XXA502	15.7	7D1B03XXA802	18.7	Incl. PSU	500	35,3
Vector 145 LV 1800Lm 3000K 1-10V & Push	7D1B03XXD202	16.2	7D1B03XXD502	15.7	7D1B03XXD802	18.7	Incl. PSU	500	35,3
Vector 145 LV 1800Lm 3000K Dali	7D1B03XXI02	16.2	7D1B03XXI02	15.7	7D1B03XXIT02	18.7	Incl. PSU	500	35,3

ITEM SPECIFICATIONS (PART B)

Description	W	Lm	Lm/W	CRI (typ.)	Pf	Ripple	Inrush current	B-16A Fuse	Safety class	Energy class
Vector 145 LV 1800Lm 3000K No dim	20,1	1800	81	97	0.95	<3%	5A 50µS	50 pcs	II	A
Vector 145 LV 1800Lm 3000K Triac dim	20,1	1800	81	97	0.95	<20%	2A 50µS	50 pcs	II	A
Vector 145 LV 1800Lm 3000K 1-10V & Push	20,1	1800	81	97	0.95	<3%	5A 50µS	50 pcs	II	A
Vector 145 LV 1800Lm 3000K Dali	20,1	1800	81	97	0.95	<3%	5A 50µS	50 pcs	II	A

ITEM SPECIFICATIONS (PART C)

Description	Weight	Dimensions single carton	Quantity per carton	Expected lifespan (25°C)		
				L70B50	L80B50	L90B50
Vector 145 LV 1800Lm 3000K	1200 gr	185x185x160 mm	12 pcs	165.000 hrs	105.000 hrs	51.000 hrs

All values are measured at 230V (+/- 7%)

VECTOR 145 LV

CRI97 1925LM

ITEM SPECIFICATIONS (PART A)

Description	18°		37°		60°		Type	mA	Vf
	Item code	UGR	Item code	UGR	Item code	UGR			
Vector 145 LV 1925Lm 4000K No dim	7D1B03XX8L02	16.4	7D1B03XX8P02	15.9	7D1B03XX8S02	18.9	Incl. PSU	500	35,3
Vector 145 LV 1925Lm 4000K Triac dim	7D1B03XXA302	16.4	7D1B03XXA602	15.9	7D1B03XXA902	18.9	Incl. PSU	500	35,3
Vector 145 LV 1925Lm 4000K 1-10V & Push	7D1B03XXD302	16.4	7D1B03XXD602	15.9	7D1B03XXD902	18.9	Incl. PSU	500	35,3
Vector 145 LV 1925Lm 4000K Dali	7D1B03XXI02	16.4	7D1B03XXI102	15.9	7D1B03XXI202	18.9	Incl. PSU	500	35,3

ITEM SPECIFICATIONS (PART B)

Description	W	Lm	Lm/W	CRI (typ.)	Pf	Ripple	Inrush current	B-16A Fuse	Safety class	Energy class
Vector 145 LV 1925Lm 4000K No dim	20,1	1925	81	97	0.95	<3%	5A 50µS	50 pcs	II	A
Vector 145 LV 1925Lm 4000K Triac dim	20,1	1925	81	97	0.95	<20%	2A 50µS	50 pcs	II	A
Vector 145 LV 1925Lm 4000K 1-10V & Push	20,1	1925	81	97	0.95	<3%	5A 50µS	50 pcs	II	A
Vector 145 LV 1925Lm 4000K Dali	20,1	1925	81	97	0.95	<3%	5A 50µS	50 pcs	II	A

ITEM SPECIFICATIONS (PART C)

Description	Weight	Dimensions single carton	Quantity per carton	Expected lifespan (25°C)		
				L70B50	L80B50	L90B50
Vector 145 LV 1925Lm 4000K	1200 gr	185x185x160 mm	12 pcs	165.000 hrs	105.000 hrs	51.000 hrs

All values are measured at 230V (+/- 7%)