

## FEATURES

- High LED efficacy of 110Lm/W
- ENEC approved 2 channel Dali DT8 driver
- LED module can be programmed in other CCT (2700-400K)
- Dimmable to 0,1%

## SPRINGS

Standard with CS spring (concrete/gyproc). Also available as above with WS spring (gyproc/metal).

LV-TW 80°

LV-TW 60°

## COLOURS

Available colours:

Matt white RAL 9016 (XX=MW)  
 Matt grey RAL 9006 (XX=GR)  
 Matt black RAL 9005 (XX=BL)

# Quad 75 LV-TW

Fixed

## SPECIFICATIONS

|                            |   |
|----------------------------|---|
| Beam angle (FWHM)          | 60° / 80°   |
| Fixture material           | Housing: Die cast aluminium / Reflector glass: Polycarbonate  |
| Environment                | Indoor  |
| IK rate                    | IK03  |
| Operating temperature (Ta) | -20°C / +45°C   |
| Safety marks               | EN60598 / EN62031 / EN62471   |
| EMC compliance             | EN55015   |
| Colour consistency (SDCM)  | MacAdam step 3  |
| Warranty                   | 7 years * (within the European Union and the countries of the Free Trade Association for products delivered after 1 May 2015) |
| Safety class               | I   |
| Energy class               | A   |

This luminaire contains built-in LED lamps. There are no exchangeable parts inside the luminaire. EU 874/2012



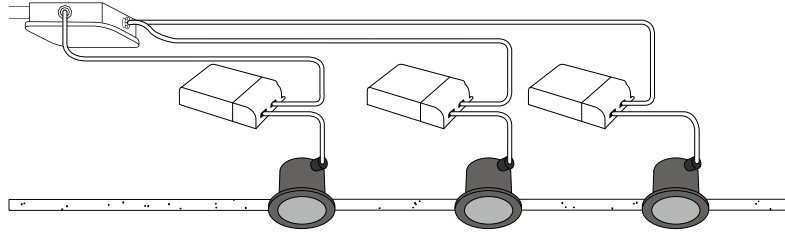
Only when the product is installed in a closed ceiling it may be exposed to water splashes, and only on its front side.



## QUAD 75

## LV-TW 2700-6500K

Downlight incl. PSU



### ITEM SPECIFICATIONS (PART A)

| Description                                 | Item code CS | Item code WS | Extra     | Input    | W    | Lm   | Lm/W | CRI (typ.) |
|---|--------------|--------------|-----------|----------|------|------|------|------------|
| Quad 75 LV-TW 2700-6500K 1250Lm 60° Dali    | 936A03XX4W02 | 936A03XX9W02 | incl. PSU | 220-240V | 11,4 | 1250 | 110  | 84/94      |
| Quad 75 LV-TW 2700-6500K 1250Lm 60° Casambi | 936A03XX4X02 | 936A03XX9X02 | incl. PSU | 220-240V | 11,4 | 1250 | 110  | 84/94      |
| Quad 75 LV-TW 2700-6500K 1250Lm 80° Dali    | 936A03XX4Y02 | 936A03XX9Y02 | incl. PSU | 220-240V | 11,4 | 1250 | 110  | 84/94      |
| Quad 75 LV-TW 2700-6500K 1250Lm 80° Casambi | 936A03XX4Z02 | 936A03XX9Z02 | incl. PSU | 220-240V | 11,4 | 1250 | 110  | 84/94      |

### ITEM SPECIFICATIONS (PART B)

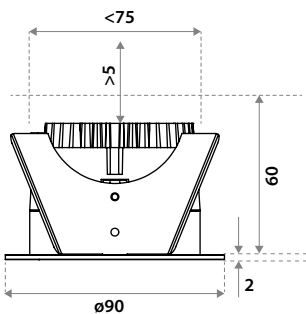
| Description                                 | UGR  | Pf   | Ripple | Inrush | B16A    |
|---|------|------|--------|--------|---------|
| Quad 75 LV-TW 2700-6500K 1250Lm 60° Dali    | 16.8 | 0.91 | <3%    | 30mA²s | 200 pcs |
| Quad 75 LV-TW 2700-6500K 1250Lm 60° Casambi | 16.8 | 0.91 | <3%    | 30mA²s | 200 pcs |
| Quad 75 LV-TW 2700-6500K 1250Lm 80° Dali    | 21.2 | 0.91 | <3%    | 30mA²s | 200 pcs |
| Quad 75 LV-TW 2700-6500K 1250Lm 80° Casambi | 21.2 | 0.91 | <3%    | 30mA²s | 200 pcs |

### ITEM SPECIFICATIONS (PART C)

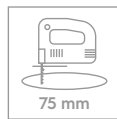
| Description                                 | Safety class | Energy class | Weight | Dimensions single carton | Quantity per carton | Expected lifespan (25°C) |             |             |
|---|--------------|--------------|--------|--------------------------|---------------------|--------------------------|-------------|-------------|
|   |              |              |        |                          |                     | L70B50                   | L80B50      | L90B50      |
| Quad 75 LV-TW 2700-6500K 1250Lm 60° Dali    | I            | A            | 427 gr | 160x107x100 mm           | 18 pcs              | >70.000 hrs              | >70.000 hrs | >37.000 hrs |
| Quad 75 LV-TW 2700-6500K 1250Lm 60° Casambi | I            | A            | 427 gr | 160x107x100 mm           | 18 pcs              | >70.000 hrs              | >70.000 hrs | >37.000 hrs |
| Quad 75 LV-TW 2700-6500K 1250Lm 80° Dali    | I            | A            | 427 gr | 160x107x100 mm           | 18 pcs              | >70.000 hrs              | >70.000 hrs | >37.000 hrs |
| Quad 75 LV-TW 2700-6500K 1250Lm 80° Casambi | I            | A            | 427 gr | 160x107x100 mm           | 18 pcs              | >70.000 hrs              | >70.000 hrs | >37.000 hrs |

All values are measured at 230V (+/- 7%)

### DIMENSIONS

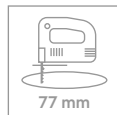


### HOLE SIZE



#### CS springs (concrete/gyproc) for 5-60mm material thickness

CS springs (except Pointerseries) can be used in almost any type of ceiling. Support plates should definitely be used when mounting big downlights in soft mineral ceilings. The spring's slightly bent edge prevents the ceiling material from getting damaged. We recommend making the hole in the ceiling material 10 mm wider than the specified cutout diameter (assuming this doesn't exceed the maximum diameter).



#### WS springs (gyproc/metal) for 1-40mm material thickness

WS springs are traditional springs that are eminently suited for soft ceiling tiles in combination with support plates (that cannot be taken out of the ceiling). WS springs are not suitable for concrete ceilings and soft ceiling tiles without support plates.