

## FEATURES

- 4 different sharp beam angles
- Wide variety of TM30 optimized LEDs
- ENEC approved drivers
- IEEE P1789 Flickerfree driver to 1%



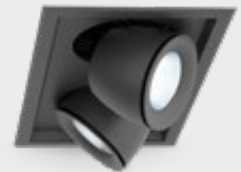
LV 18° / 37° / 60°



LV 80° (on request)

## COLOURS

Available colours:



Matt white RAL 9016 (XX=MW)  
Matt black RAL 9005 (XX=BL)

## SPRINGS

No other springs available.

# Linea DS-AT 425x235 LV

Adjustable

## SPECIFICATIONS

Beam angle (FWHM)	18° / 37° / 60° (80° on request)
Fixture material	Die cast aluminium
Environment	Indoor
IP rate	IP20
IK rate	IK03
Operating temperature (Ta)	-20°C / +45°C
Safety marks	EN60598 / EN62031 / EN62471
EMC compliance	EN55015
Colour consistency (SDCM)	MacAdam step 3
Warranty	7 Years
Energy class	A+

This luminaire contains built-in LED lamps. The lamps cannot be changed in the luminaire. EU 874/2012



Ask our sales department about the possibilities for:  
- Tunable white 2700-6500K.  
- Extra LED options from the LUXEON Stylist Series

IP20

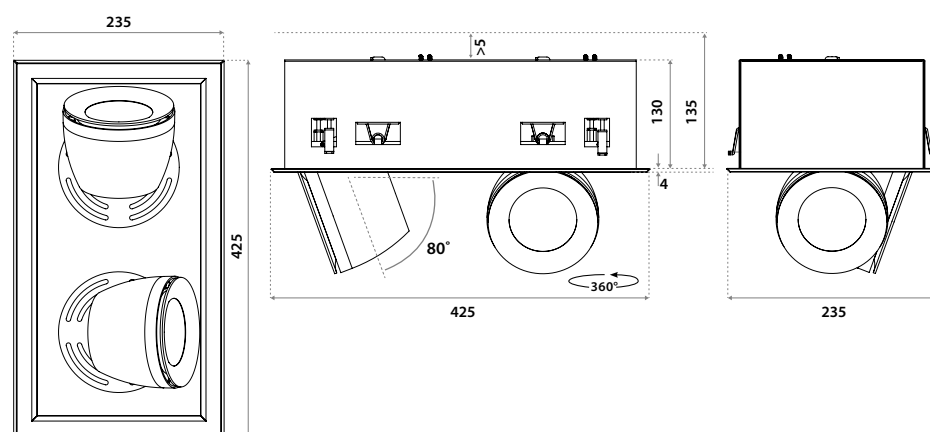
## LINEA DS-AT 425X235 VARIATIONS

Linea DS-AT 425x235	CRI80	3000/4000K	3000/3400Lm	incl. power supply	page 3
Linea DS-AT 425x235	CRI80	3000/4000K	5000/5700Lm	incl. power supply	page 4
Linea DS-AT 425x235	CRI97	3000K	2500Lm	incl. power supply	page 5
Linea DS-AT 425x235	CRI97	3000K	3750Lm	incl. power supply	page 6

## CRI80/97 CHOOSE YOUR LV LUMEN OUTPUT

	mA	W	Lumen Output			Lumen / Watt			Driver types				
			CRI80	CRI80	CRI97	CRI80	CRI80	CRI97	No dim	Triac	1-10V&Push	Dali	Casambi
			3000K	4000K	3000K	3000K	4000K	3000K					
<i>Special request</i>	250	9,4	1200	1400	800	127	149	85	127570	x	127021	127576	x
<i>Special request</i>	350	13,2	1650	1900	1100	125	144	83	127570	x	127021	127576	127630
<i>Special request</i>	500	17,9	2250	2500	1450	125	139	81	127570	127032	127021	127576	127630
<b>Standard</b>	700	27,0	3000	3400	2150	111	126	80	127484N	122260	127021	127576	127630
<i>Special request</i>	800	32,1	3400	3750	2500	106	117	78	127484N	on request	127021	127490	127630
<i>Special request</i>	900	35,5	3700	4100	2700	104	115	76	127484N	on request	127021	127490	127630
<i>Special request</i>	1050	41,7	4200	4700	3000	101	113	72	127484N	on request	127021	127490	127630
<b>Standard</b>	1200	50,5	5000	5700	3250	99	113	64	127690	on request	123170	123170	On request
<b>Special request</b>	1400	57,2	5600	6300	3750	98	110	66	127310	on request	123170	123170	On request

## DIMENSIONS



## HOLE SIZE



For 1-25 mm ceiling thickness and recess depth 135 mm (incl. 5mm space for air ventilation).  
For plasterboard ceilings or similar harder materials.

For soft ceiling tiles, we recommend using a wooden plate on the reverse side of the tile.

## LINEA DS-AT 425X235 LV

**CRI80 3000/3400LM**

### ITEM SPECIFICATIONS (PART A)

Description	18°		37°		60°		Type	mA	Vf
	Item code	UGR	Item code	UGR	Item code	UGR			
Linea DS-AT LV 2x3000 Lm 3000K CRI80 No dim	190703XXEA02	18.0	190703XXEB02	17.4	190703XXEC02	20.5	Incl. PSU	700	35,3
Linea DS-AT LV 2x3000 Lm 3000K CRI80 1-10V & Push	190703XXQA02	18.0	190703XXQB02	17.4	190703XXQC02	20.5	Incl. PSU	700	35,3
Linea DS-AT LV 2x3000 Lm 3000K CRI80 Dali	190703XXRA02	18.0	190703XXRB02	17.4	190703XXRC02	20.5	Incl. PSU	700	35,3
Linea DS-AT LV 2x3400 Lm 4000K CRI80 No dim	190703XXED02	18.4	190703XXEE02	17.9	190703XXEF02	20.9	Incl. PSU	700	35,3
Linea DS-AT LV 2x3400 Lm 4000K CRI80 1-10V & Push	190703XXQD02	18.4	190703XXQE02	17.9	190703XXQF02	20.9	Incl. PSU	700	35,3
Linea DS-AT LV 2x3400 Lm 4000K CRI80 Dali	190703XXRD02	18.4	190703XXRE02	17.9	190703XXRF02	20.9	Incl. PSU	700	35,3

### ITEM SPECIFICATIONS (PART B)

Description	W	Lm	Lm/W	CRI (typ.)	Pf	Ripple	Inrush current	B-16A Fuse	Safety class	Energy class
Linea DS-AT LV 2x3000 Lm 3000K CRI80 No dim	27,0	3000	111	82	0.95	<3%	5A 50µS	50 pcs	I	A+
Linea DS-AT LV 2x3000 Lm 3000K CRI80 1-10V & Push	27,0	3000	111	82	0.95	<3%	5A 50µS	50 pcs	II	A+
Linea DS-AT LV 2x3000 Lm 3000K CRI80 Dali	27,0	3000	111	82	0.95	<3%	5A 50µS	50 pcs	II	A+
Linea DS-AT LV 2x3400 Lm 4000K CRI80 No dim	27,0	3400	126	82	0.95	<3%	5A 50µS	50 pcs	I	A+
Linea DS-AT LV 2x3400 Lm 4000K CRI80 1-10V & Push	27,0	3400	126	82	0.95	<3%	5A 50µS	50 pcs	II	A+
Linea DS-AT LV 2x3400 Lm 4000K CRI80 Dali	27,0	3400	126	82	0.95	<3%	5A 50µS	50 pcs	II	A+

### ITEM SPECIFICATIONS (PART C)

Description	Weight	Dimensions single carton	Quantity per carton	Expected lifespan (25°C)		
				L70B50	L80B50	L90B50
Linea DS-AT LV CRI80	4920 gr	456x282x177 mm	4 pcs	165.000 hrs	105.000 hrs	51.000 hrs

All values are measured at 230V (+/- 7%)

## LINEA DS-AT 425X235 LV

**CRI80 5000/5700LM**

### ITEM SPECIFICATIONS (PART A)

Description	18°		37°		60°		Type	mA	Vf
	Item code	UGR	Item code	UGR	Item code	UGR			
Linea DS-AT LV 2x5000 Lm 3000K CRI80 No dim	190703XXER02	19.7	190703XXES02	19.2	190703XXET02	22.2	Incl. PSU	1200	37,5
Linea DS-AT LV 2x5000 Lm 3000K CRI80 1-10V & Push	190703XXQK02	19.7	190703XXQL02	19.2	190703XXQM02	22.2	Incl. PSU	1200	37,5
Linea DS-AT LV 2x5000 Lm 3000K CRI80 Dali	190703XXRK02	19.7	190703XXRL02	19.2	190703XXRM02	22.2	Incl. PSU	1200	37,5
Linea DS-AT LV 2x5700 Lm 4000K CRI80 No dim	190703XXEU02	20.2	190703XXEV02	19.7	190703XXEW02	22.7	Incl. PSU	1200	37,5
Linea DS-AT LV 2x5700 Lm 4000K CRI80 1-10V & Push	190703XXQN02	20.2	190703XXQP02	19.7	190703XXQQ02	22.7	Incl. PSU	1200	37,5
Linea DS-AT LV 2x5700 Lm 4000K CRI80 Dali	190703XXRN02	20.2	190703XXRP02	19.7	190703XXRQ02	22.7	Incl. PSU	1200	37,5

### ITEM SPECIFICATIONS (PART B)

Description	W	Lm	Lm/W	CRI (typ.)	Pf	Ripple	Inrush current	B-16A Fuse	Safety class	Energy class
Linea DS-AT LV 2x5000 Lm 3000K CRI80 No dim	50,5	5000	99	82	0.95	<3%	10A 200µS	30 pcs	II	A+
Linea DS-AT LV 2x5000 Lm 3000K CRI80 1-10V & Push	50,5	5000	99	82	0.95	<3%	10A 200µS	30 pcs	I	A+
Linea DS-AT LV 2x5000 Lm 3000K CRI80 Dali	50,5	5000	99	82	0.95	<3%	10A 200µS	30 pcs	I	A+
Linea DS-AT LV 2x5700 Lm 4000K CRI80 No dim	50,5	5700	113	82	0.95	<3%	10A 200µS	30 pcs	II	A+
Linea DS-AT LV 2x5700 Lm 4000K CRI80 1-10V & Push	50,5	5700	113	82	0.95	<3%	10A 200µS	30 pcs	I	A+
Linea DS-AT LV 2x5700 Lm 4000K CRI80 Dali	50,5	5700	113	82	0.95	<3%	10A 200µS	30 pcs	I	A+

### ITEM SPECIFICATIONS (PART C)

Description	Weight	Dimensions single carton	Quantity per carton	Expected lifespan (25°C)		
				L70B50	L80B50	L90B50
Linea DS-AT LV CRI80	4920 gr	456x282x177 mm	4 pcs	165.000 hrs	105.000 hrs	51.000 hrs

All values are measured at 230V (+/- 7%)

## LINEA DS-AT 425X235 LV

**CRI97 2500LM**

### ITEM SPECIFICATIONS (PART A)

Description	18°		37°		60°		Type	mA	Vf
	Item code	UGR	Item code	UGR	Item code	UGR			
Linea DS-AT LV 2x2500 Lm 3000K CRI97 No dim	190703XXEG02	17.3	190703XXEH02	16.8	190703XXEJ02	19.8	Incl. PSU	800	35,3
Linea DS-AT LV 2x2500 Lm 3000K CRI97 1-10V & Push	190703XXQG02	17.3	190703XXQH02	16.8	190703XXQJ02	19.8	Incl. PSU	800	35,3
Linea DS-AT LV 2x2500 Lm 3000K CRI97 Dali	190703XXRG02	17.3	190703XXRH02	16.8	190703XXRJ02	19.8	Incl. PSU	800	35,3

### ITEM SPECIFICATIONS (PART B)

Description	W	Lm	Lm/W	CRI (typ.)	Pf	Ripple	Inrush current	B-16A Fuse	Safety class	Energy class
Linea DS-AT LV 2x2500 Lm 3000K CRI97 No dim	32,1	2500	78	97	0.95	<3%	5A 50µS	50 pcs	I	A+
Linea DS-AT LV 2x2500 Lm 3000K CRI97 1-10V & Push	32,1	2500	78	97	0.95	<3%	5A 50µS	50 pcs	II	A+
Linea DS-AT LV 2x2500 Lm 3000K CRI97 Dali	32,1	2500	78	97	0.95	<3%	5A 50µS	50 pcs	II	A+

### ITEM SPECIFICATIONS (PART C)

Description	Weight	Dimensions single carton	Quantity per carton	Expected lifespan (25°C)		
				L70B50	L80B50	L90B50
Linea DS-AT LV 2500 Lm 3000K CRI97	4920 gr	456x282x177 mm	4 pcs	165.000 hrs	105.000 hrs	51.000 hrs

All values are measured at 230V (+/- 7%)

## LINEA DS-AT 425X235 LV

**CRI97 3750LM**

### ITEM SPECIFICATIONS (PART A)

Description	18°		37°		60°		Type	mA	Vf
	Item code	UGR	Item code	UGR	Item code	UGR			
Linea DS-AT LV 2x3750 Lm 3000K CRI97 No dim	190703XXFG02	18.7	190703XXFH02	18.2	190703XXFJ02	21.2	Incl. PSU	1400	37,5
Linea DS-AT LV 2x3750 Lm 3000K CRI97 1-10V & Push	190703XXQR02	18.7	190703XXQS02	18.2	190703XXQT02	21.2	Incl. PSU	1400	37,5
Linea DS-AT LV 2x3750 Lm 3000K CRI97 Dali	190703XXRR02	18.7	190703XXRS02	18.2	190703XXRT02	21.2	Incl. PSU	1400	37,5

### ITEM SPECIFICATIONS (PART B)

Description	W	Lm	Lm/W	CRI (typ.)	Pf	Ripple	Inrush current	B-16A Fuse	Safety class	Energy class
Linea DS-AT LV 2x3750 Lm 3000K CRI97 No dim	57,2	3750	66	97	0.95	<3%	10A 200µS	30 pcs	II	A+
Linea DS-AT LV 2x3750 Lm 3000K CRI97 1-10V & Push	57,2	3750	66	97	0.95	<3%	10A 200µS	30 pcs	I	A+
Linea DS-AT LV 2x3750 Lm 3000K CRI97 Dali	57,2	3750	66	97	0.95	<3%	10A 200µS	30 pcs	I	A+

### ITEM SPECIFICATIONS (PART C)

Description	Weight	Dimensions single carton	Quantity per carton	Expected lifespan (25°C)		
				L70B50	L80B50	L90B50
Linea DS-AT LV 2x3750 Lm 3000K CRI97	4920 gr	456x282x177 mm	4 pcs	165.000 hrs	105.000 hrs	51.000 hrs

All values are measured at 230V (+/- 7%)

## NEW STANDARDS REQUIRE NEW LEDS

TM-30 (new color norm): The Illuminating Engineering Society (IES) has published a new Technical Memorandum – TM-30-15 entitled “IES Method for Evaluating Light Source Color Rendition” – that promises to supplant CRI as a color metric. TM-30 relies on separate fidelity and gamut metrics, as well as a set of color samples that is more representative of real-world objects, as opposed to the pastel samples that were primarily used for the baseline CRI metric that was sometimes called Ra. The new color metric is intended to fairly and accurately characterize both LED-based solid-state lighting (SSL) and legacy sources.



### Desaturated

CRI = 80 / R<sub>g</sub> = 92



### Red-Enhanced

CRI = 98 / R<sub>g</sub> = 103

## SPECIAL LEDS AVAILABLE

	CCT	CRI	R9	Rf	Rg	R15	TLCI	W	Lm/W	900 mA	1400 mA
<b>Standard CRI80</b>	3000K	82	5	81	93	75	66	13,8	101	3000 Lm	5000 Lm
<b>Standard CRI80</b>	4000K	82	5	81	93	74	66	13,8	109	3400 Lm	5700 Lm
<b>Standard CRI97</b>	3000K	97	96	95	103	100	97	13,8	91	2500 Lm	3750 Lm
<b>CRI97</b>	4000K	97	96	95	103	100	97	13,8	98	3950 Lm	3950 Lm
<b>CrispWhite</b>	3000K	90	61	87	102	89	83	13,8	57	3550 Lm	3550 Lm
<b>CrispColor</b>	2700K	94	96	93	106	95	93	13,8	57	3550 Lm	3550 Lm
<b>CrispColor</b>	3000K	91	93	91	103	96	96	13,8	60	3750 Lm	3750 Lm
<b>CrispColor</b>	3250K	93	95	90	101	96	97	13,8	63	3950 Lm	3950 Lm
<b>CrispColor</b>	3500K	95	96	91	102	95	96	13,8	64	4000 Lm	4000 Lm
<b>CrispColor</b>	4000K	95	96	90	101	95	96	13,8	76	4700 Lm	4700 Lm
<b>CrispColor</b>	5000K	95	96	88	99	94	95	13,8	62	3800 Lm	3800 Lm
<b>AtmoSphere</b>	2200K	92	55	90	99	87	88	13,8	57	3550 Lm	3550 Lm
<b>Bread &amp; Pastries</b>	2700K	92	54	89	96	86	91	13,8	56	3500 Lm	3500 Lm
<b>Produce</b>	3000K	91	93	91	103	96	96	13,8	53	3300 Lm	3300 Lm
<b>Red Meat</b>	1800K	82	81	77	119	95	60	13,8	37	2350 Lm	2350 Lm
<b>Marbled Meat</b>	3000K	63	32	78	115	46	72	13,8	34	2150 Lm	2150 Lm
<b>Fish</b>	6500K	96	96	89	98	94	96	13,8	60	3750 Lm	3750 Lm