

FEATURES

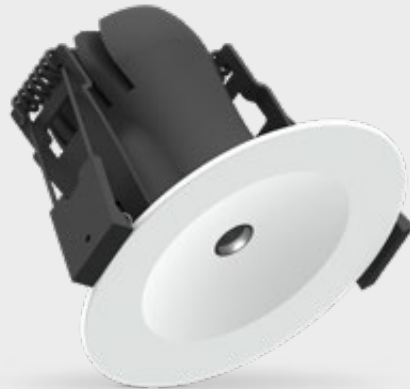
- High end aluminum heatsink with a unique elegant design
- PCB with a high power Cree Powered in 2700, 3000K and 4000K
- Illuxtron patented optical lens system that makes pin-hole light possible
- Anti glare cap that ensures no stray light. The total light opening is only 8mm!

Bartenbach
lighting optics



SPRINGS

Standard with WS springs (gyproc/metal). Also available as above with CS springs (concrete).



COLOURS

Available colours:



Matt white RAL 9016 (XX=MW)
Matt black RAL 9005 (XX=BL)

Pointer 68 fix

Fixed

SPECIFICATIONS

Beam angle (FWHM)	35° (45° FWTM) / 60° (80° FWTM)
Fixture material	Die cast aluminium
Environment	Indoor
IK rate	IK10
Operating temperature (Ta)	-20°C / +45°C
Safety marks	EN60598 / EN62031 / EN62471
EMC compliance	EN55015
Colour consistency (SDCM)	MacAdam step 3
Warranty	7 years * (within the European Union and the countries of the Free Trade Association for products delivered after 1 May 2015)
Energy class	A

This luminaire contains built-in LED lamps. There are no exchangeable parts inside the luminaire. EU 874/2012



Only when the product is installed in a closed ceiling it may be exposed to water splashes, and only on its front side.

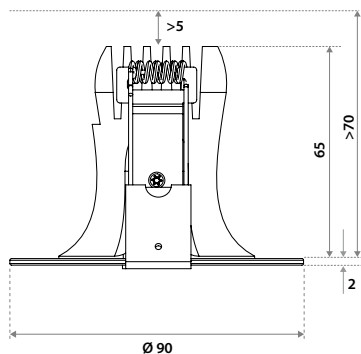
IP20

IP44

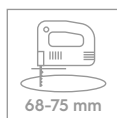
POINTER 68 FIX VARIATIONS

Pointer 68 fix LV	220-240V	incl. power supply	page 3
Pointer 68 fix LV-C	700mA	to be connected to a central power supply	page 4

DIMENSIONS



HOLE SIZE



Using WS (wire) springs (gyproc/metal)

For 1-30 mm ceiling thickness.
Recess depth 70 mm (incl. 5mm space for air ventilation).

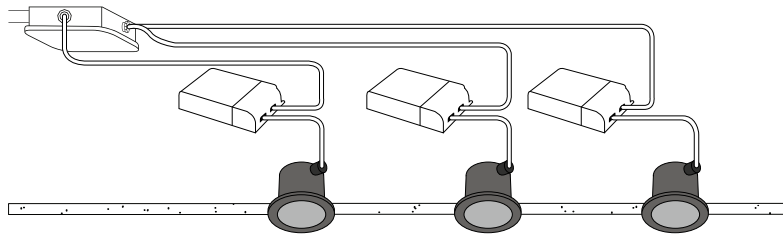
Using CS (concrete) springs (concrete/gyproc)

For 5-70 mm ceiling thickness.
Recess depth 70 mm (incl. 5mm space for air ventilation).

POINTER 68 FIX (dimmable - incl. individual power supply)

220-240V

Downlight incl. PSU



ITEM SPECIFICATIONS (PART A)

Description	Item code WS	Item code CS	Input	W	Lm	Lm/W	CRI (typ.)	UGR	Pf	Ripple	Inrush current	B-16A Fuse
Pointer 68 fix LV 35° 500Lm 2700K Triac dim	072803XXWU13	072803XXLN13	220-240V	9,2	500	54	85	7.2	0.96	<20%	2A 50µS	50 pcs
Pointer 68 fix LV 35° 525Lm 3000K Triac dim	072803XXWV13	072803XXLP13	220-240V	9,2	525	57	85	7.3	0.96	<20%	2A 50µS	50 pcs
Pointer 68 fix LV 35° 550Lm 4000K Triac dim	072803XXWW13	072803XXLQ13	220-240V	9,2	550	60	85	7.5	0.96	<20%	2A 50µS	50 pcs
Pointer 68 fix LV 60° 550Lm 2700K Triac dim	072803XXWX13	072803XXLR13	220-240V	9,2	550	60	85	17.5	0.96	<20%	2A 50µS	50 pcs
Pointer 68 fix LV 60° 600Lm 3000K Triac dim	072803XXWY13	072803XXLS13	220-240V	9,2	600	65	85	17.8	0.96	<20%	2A 50µS	50 pcs
Pointer 68 fix LV 60° 650Lm 4000K Triac dim	072803XXWZ13	072803XXLT13	220-240V	9,2	650	71	85	18.0	0.96	<20%	2A 50µS	50 pcs
Pointer 68 fix LV 35° 500Lm 2700K 1-10V & Push	072803XXXU13	072803XXYA13	220-240V	9,2	500	54	85	7.2	0.96	<3%	5A 50µS	50 pcs
Pointer 68 fix LV 35° 525Lm 3000K 1-10V & Push	072803XXXV13	072803XXYB13	220-240V	9,2	525	57	85	7.3	0.96	<3%	5A 50µS	50 pcs
Pointer 68 fix LV 35° 550Lm 4000K 1-10V & Push	072803XXXW13	072803XXYC13	220-240V	9,2	550	60	85	7.5	0.96	<3%	5A 50µS	50 pcs
Pointer 68 fix LV 60° 550Lm 2700K 1-10V & Push	072803XXXX13	072803XXYD13	220-240V	9,2	550	60	85	17.5	0.96	<3%	5A 50µS	50 pcs
Pointer 68 fix LV 60° 600Lm 3000K 1-10V & Push	072803XXXY13	072803XXYE13	220-240V	9,2	600	65	85	17.8	0.96	<3%	5A 50µS	50 pcs
Pointer 68 fix LV 60° 650Lm 4000K 1-10V & Push	072803XXXZ13	072803XXYF13	220-240V	9,2	650	71	85	18.0	0.96	<3%	5A 50µS	50 pcs
Pointer 68 fix LV 35° 500Lm 2700K Dali	072803XXW013	072803XXL013	220-240V	9,2	500	54	85	7.2	0.96	<3%	5A 50µS	50 pcs
Pointer 68 fix LV 35° 525Lm 3000K Dali	072803XXW113	072803XXL113	220-240V	9,2	525	57	85	7.3	0.96	<3%	5A 50µS	50 pcs
Pointer 68 fix LV 35° 550Lm 4000K Dali	072803XXW213	072803XXL213	220-240V	9,2	550	60	85	7.5	0.96	<3%	5A 50µS	50 pcs
Pointer 68 fix LV 60° 550Lm 2700K Dali	072803XXW313	072803XXL313	220-240V	9,2	550	60	85	17.5	0.96	<3%	5A 50µS	50 pcs
Pointer 68 fix LV 60° 600Lm 3000K Dali	072803XXW413	072803XXL413	220-240V	9,2	600	65	85	17.8	0.96	<3%	5A 50µS	50 pcs
Pointer 68 fix LV 60° 650Lm 4000K Dali	072803XXW513	072803XXL513	220-240V	9,2	650	71	85	18.0	0.96	<3%	5A 50µS	50 pcs

ITEM SPECIFICATIONS (PART B)

Description	Safety class	Energy class	Weight	Dimensions single carton	Quantity per pallet	Expected lifespan (25°C)		
						L70B50	L80B50	L90B50
Pointer 68 fix LV Triac dim	II	A	304 gr	105x105x105 mm	42 pcs	60.500 hrs	43.000 hrs	26.000 hrs

All values are measured at 230V (+/- 7%)

INCL. PSU

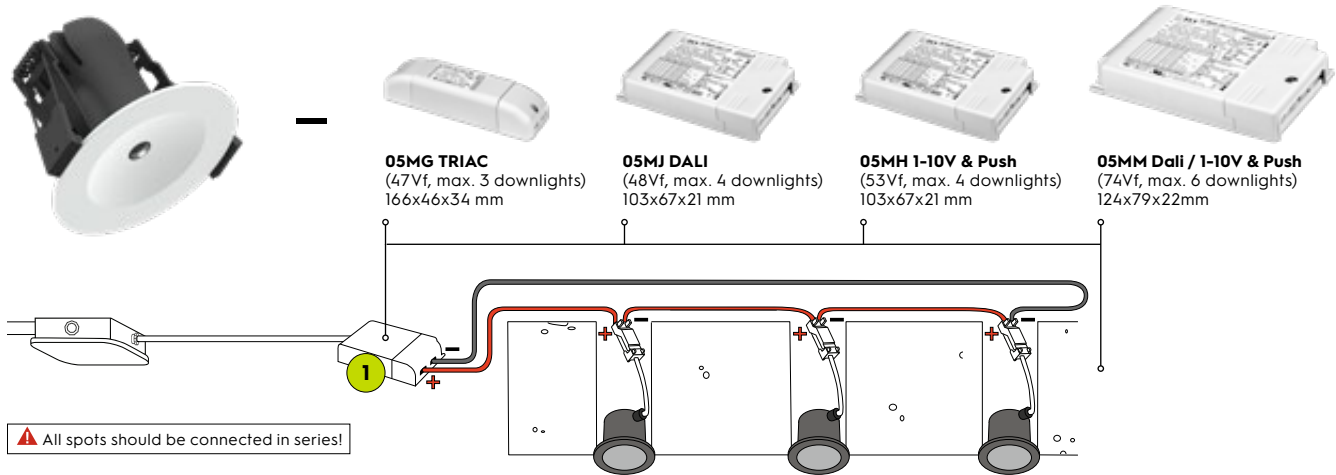
- PSU TCI 127046 Triac dim 102x38x21 mm
- PSU TCI 123400 1-10V & Push 102x38x21 mm
- PSU TCI 127576 Dali 147x44x22 mm



Cable
150 mm

POINTER 68 FIX (dimmable - excl. central power supply)

700 mA



ITEM SPECIFICATIONS (PART A)

Description	Item code WS	Item code CS	Input	Vf	W	Lm	Lm/W	CRI (typ.)	UGR	Pf	Ripple	Inrush current	B-16A Fuse
Pointer 68 fix LV-C 700mA 35° 500 Lm 2700K	072803XXWU11	072803XXLN11	700mA	11,5	8,0	500	63	85	7.2	x	x	x	x
Pointer 68 fix LV-C 700mA 35° 525 Lm 3000K	072803XXWV11	072803XXLP11	700mA	11,5	8,0	525	66	85	7.3	x	x	x	x
Pointer 68 fix LV-C 700mA 35° 550 Lm 4000K	072803XXWW11	072803XXLQ11	700mA	11,5	8,0	550	69	85	7.5	x	x	x	x
Pointer 68 fix LV-C 700mA 60° 550 Lm 2700K	072803XXWX11	072803XXLR11	700mA	11,5	8,0	550	69	85	17.5	x	x	x	x
Pointer 68 fix LV-C 700mA 60° 600 Lm 3000K	072803XXWY11	072803XXLS11	700mA	11,5	8,0	600	75	85	17.8	x	x	x	x
Pointer 68 fix LV-C 700mA 60° 650 Lm 4000K	072803XXWZ11	072803XXLT11	700mA	11,5	8,0	650	81	85	18.0	x	x	x	x

ITEM SPECIFICATIONS (PART B)

Description	Safety class	Energy class	Weight	Dimensions single carton	Quantity per pallet	Expected lifespan (25°C)		
						L70B50	L80B50	L90B50
Pointer 68 fix LV-C 700mA	III	A	254 gr	105x105x105 mm	42 pcs	60.500 hrs	43.000 hrs	26.000 hrs

ITEM SPECIFICATIONS (PART A)

Description	Item code	Input	Watt	Current	Efficiency	Pf	Ripple	Weight	Inrush current	B-16A Fuse
PSU 32W 700mA Triac (I)	05MG03MLMF00	220-240V	32W (47Vf)	700mA	85%	0.97	<3%	138 gr	5A 50µS	50 pcs
PSU 32W 700mA Dali (I)	05MJ03MLMF00	220-240V	32W (48Vf)	700mA	87%	0.98	<3%	138 gr	5A 50µS	50 pcs
PSU 32W 700mA 1-10V & Push (I)	05MH03MLMF00	220-240V	32W (53Vf)	700mA	90%	0.95	<3%	138 gr	5A 50µS	50 pcs
PSU 50W 700mA Dali / 1-10V & Push (I)	05MM03MLMF00	220-240V	50W (74Vf)	700mA	89%	0.95	<3%	218 gr	20A 400µS	50 pcs

All values are measured at 230V (+/- 7%)

INCLUDING CONNECTION BOX

For installation to a central power supply.

