

DALI 3Ch LED Dimmer

Datasheet Control Gear



3-Channel LED Dimmer (CV)

Art. Nr. 89453828 (4A)

Art. Nr. 89453834 (8A)

Art. Nr. 86459571 (10A)

Art. Nr. 89453831 (16A)

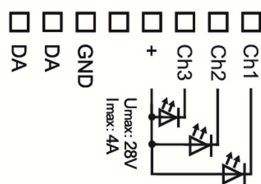
DALI 3Ch LED Dimmer Control Gear

Overview

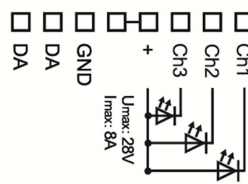
- 3 Channel LED Dimmer
- Suitable for constant voltage LED-modules
- Enables separate control of 3 PWM-outputs via DALI
- Each channel has got an own DALI-address
- The output is dimmable from 1% to 100% (upon request 0.1%)
- Supply voltage from 12V to 28V DC or 12V to 48V DC dependent on type
- Configuration via DALI-Cockpit software and DALI USB interface
- 3 types of housing
- Depending on product-type the maximum input current must not exceed 4A, 8A, 10A or 16A
- The output current per channel may not exceed 8A

Specification, Characteristics

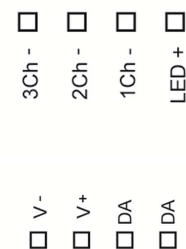
type	DALI 3Ch LED Dimmer			
article number	86453828	89453834	86459571	89453831
power supply	12VDC-28VDC		12VDC-48VDC	
maximum input current	4A	8A	10A	16A
maximum output current per channel	4A	8A	8A	8A
control input	DALI			
number of DALI addresses	3			
ambient temperature	-20°C bis 50°C		-20°C bis 60°C	
protection class	IP20			
default state after power return	von DALI-Einstellung abhängig			
max. connecting wire cross section	1.5 mm ²		2.5 mm ²	
geometry (L x W x H)	40mmx28mmx14mm	59mmx33mmx15mm	120mmx30mmx21mm	



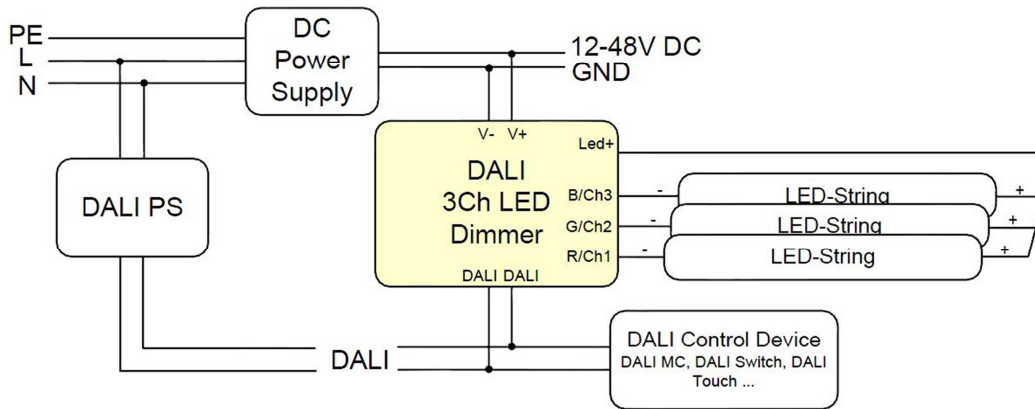
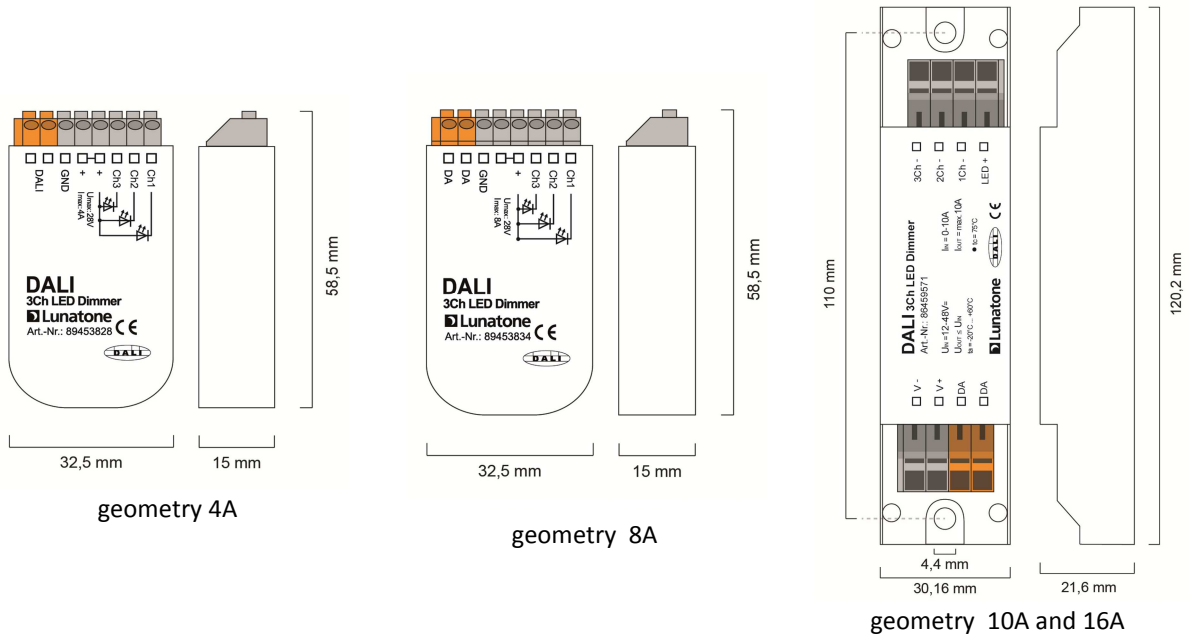
connection plan 4A



connection plan 8A



connection plan 10A and 16A



typical application

RECOMMENDATION: Care should be taken on keeping cable lengths between DC power supply and dimmer as well as between dimmer and luminaires (Led-Strings) as short as possible. This kind of installation will minimize the influence of voltage drops.

Purchase Information

Art.Nr. 89453828: 3-Channel LED Dimmer, CV, max. input current 4A, 12V-28V DC, back box

Art.Nr. 89453834: 3-Channel LED Dimmer, CV, max. input current 8A, 12V-28V DC, back box

Art.Nr. 86459571: 3-Channel LED Dimmer, CV, max. input current 10A, max. 8A/channel, 12V-48V DC, remote ceiling & built in

Art.Nr. 89453831: 3-Channel LED Dimmer, CV, max. input current 16A, max. 8A/channel, 12V-48V DC, remote ceiling & built in

Additional Information and Equipment

DALI-Cockpit – free configuration tool from Lunatone for DALI systems

<http://lunatone.at/en/downloads/Lunatone-DALI-Cockpit.zip>

Lunatone DALI products

<http://www.lunatone.at/en/>

Lunatone datasheets and manuals

<http://lunatone.at/en/downloads/>

Contact

Technical Support: support@lunatone.com

Requests: sales@lunatone.com

www.lunatone.com



Disclaimer

Subject to change. Information provided without guarantee.
The datasheet refers to the current delivery.

The function in installations with other devices must be tested
for compatibility in advance.