

## DALI 3Ch LED Dimmer CC

Constant Current LED Dimmer

**Datasheet**  
Control Gear



3-Channel LED Dimmer (CC,DT6)

Art. Nr. 89453846-100 (3x100mA)

Art. Nr. 89453846-250 (3x250mA)

Art. Nr. 89453846-350 (3x350mA)

Art. Nr. 89453846-500 (3x500mA)

Common Negative LED-Connector:

Art. Nr. 89453846-100GM

Art. Nr. 89453846-250GM

Art. Nr. 89453846-350GM

Art. Nr. 89453846-500GM

Art. Nr. 89453846-700GM

# DALI 3Ch LED Dimmer CC Control Gear

## Overview

- 3Channel CC LED-Dimmer
- Direct control of constant current led modules
- Configuration and Control via DALI
- **Each channel is controlled by its own DALI address. For controlling 3 channels by a common DALI DT8 address use the DALI RGB module (Art.Nr. 86458913)**
- Dimming range from 1% to 100%
- Constant output currents in the range of 100mA to 500mA available
- **Type with common negative LED-connector => article number 89453846-xxxGM**
- Supply voltage 12V to 48V DC
- Configuration via DALI-Cockpit and DALI USB interface
- short circuit protection

## Specification, Characteristics

type	DALI 3Ch CC 100mA	DALI 3Ch CC 250mA	DALI 3Ch CC 350mA	DALI 3Ch CC 500mA
article number	89453846-100	89453846-250	89453846-350	89453846-500

### electrical data:

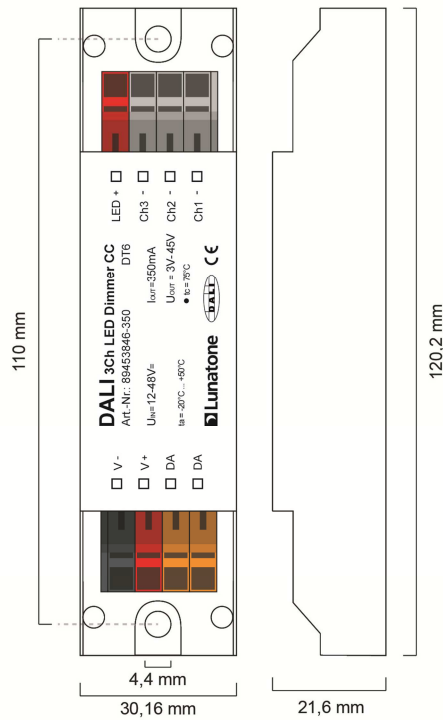
supply Uin	12VDC-48VDC			
max. Input current linmax	300mA	750mA	1050mA	1500mA
output current	3x 100mA	3x 250mA	3x 350mA	3x 500mA
output voltage range Uled	3V-45V (at 48V supply)			
input	DALI			
current consumption DALI	2mA			
number of DALI addresses	3			
Behaviour after power return	configurable			

### technical data:

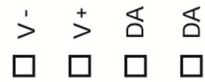
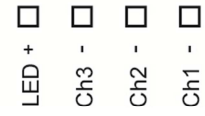
ambient temperature	-20°C bis +60°C			
expected lifetime (at Uin-Uled<10V, lin<linmax, Tc<=75°C)	>50000h			
protection class	IP20			
Max. connecting wire crosssection	bis 2.5 mm <sup>2</sup> bis 1.5 mm <sup>2</sup>			
dimensions	120mmx30mmx20mm			

Output currents in the range of 100mA to 500mA available, variants with channel-specific values on request

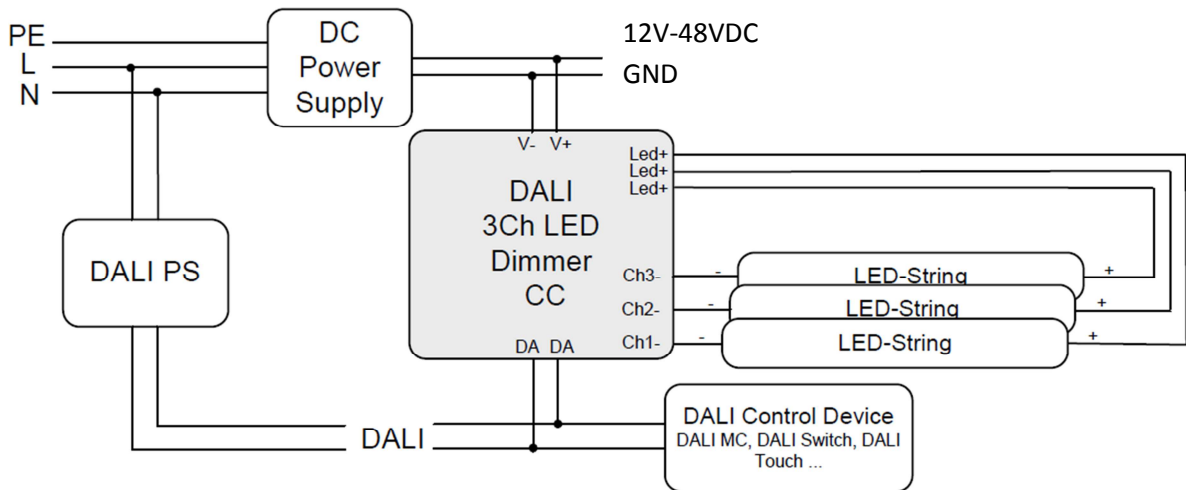
Types with common minus connector up to 700mA



geometry



connection plan



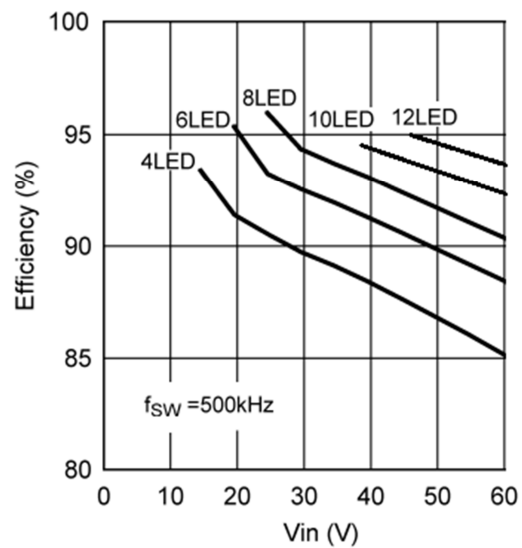
typical application



**Hint:**

For highest efficiency the input voltage should range between 3V and 10V above the LED-voltage:

- 4-6 LEDs: 24V
- 6-9LEDs: 36V
- 10-12 LEDs: 48V



**Purchase Information**

article number: 89453846-xxx

xxx = value of constant current in mA:

100mA ... 500 mA

3 Channel LED Constant Current Dimmer with separate DALI addresses for each channel

**Type with common negative LED-connector:**

**article number: 89453846-xxx-GM**

**Additional Information and Equipment**

DALI-Cockpit – free configuration tool from Lunatone for DALI systems  
<http://lunatone.at/de/dali-systeme/software/>

Lunatone DALI products  
<http://www.lunatone.at/de/>

Lunatone datasheets and manuals  
<http://lunatone.at/de/downloads/>

**Contact**

Technical Support: [support@lunatone.com](mailto:support@lunatone.com)

Requests: [sales@lunatone.com](mailto:sales@lunatone.com)

[www.lunatone.com](http://www.lunatone.com)



**Disclaimer**

Subject to change. Information provided without guarantee. The datasheet refers to the current delivery.

The function in installations with other devices must be tested for compatibility in advance.