

## DALI RGBW-PWM

### Datasheet Control Gear



LED Dimmer (CV) with DALI DT8  
colour adjustment: RGBW

Art. Nr. 86458509 (8A)  
Art. Nr. 89453840 (10A)  
Art.Nr. 89453843 (16A)

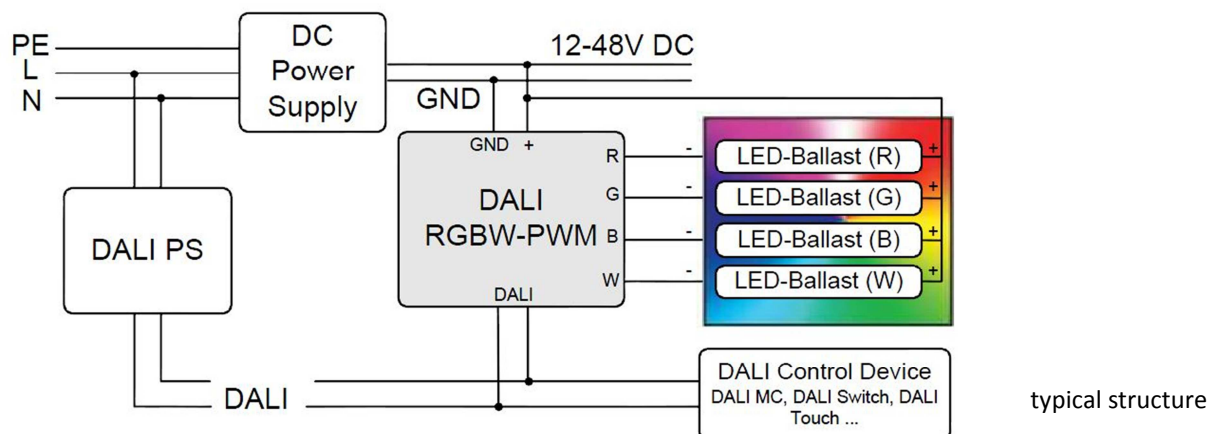
# DALI RGBW-PWM Control Gear

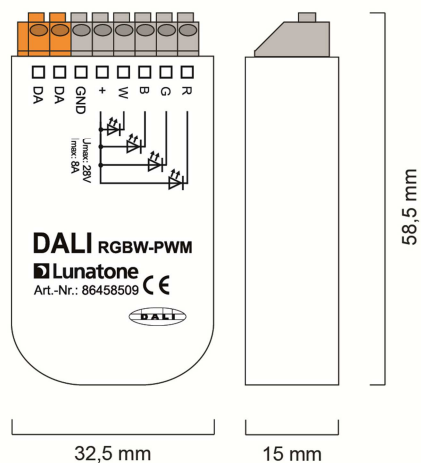
## Overview

- LED-Dimmer with RGBW adjustment.
- Control of four PWM-terminals for red, green, blue and white via DALI (DT8, colour reproduction RGBWAF).
- The device is being controlled via a single DALI address (DT8).
- Separated adjustment of brightness and colour (operating mode: Normalized, Unlinked).
- Suitable for controlling constant-voltage LED modules.
- Supply voltage 12V or 24V DC, 48V type available on request.
- Configuration via DALI-Cockpit software tool and DALI USB interface.
- 2 types of housing.
- Depending on product-type the maximal input current must not exceed 8A, 10A, or 16A.
- The maximum input current can be distributed at will on the channels, however the sum must not exceed the maximum input current.

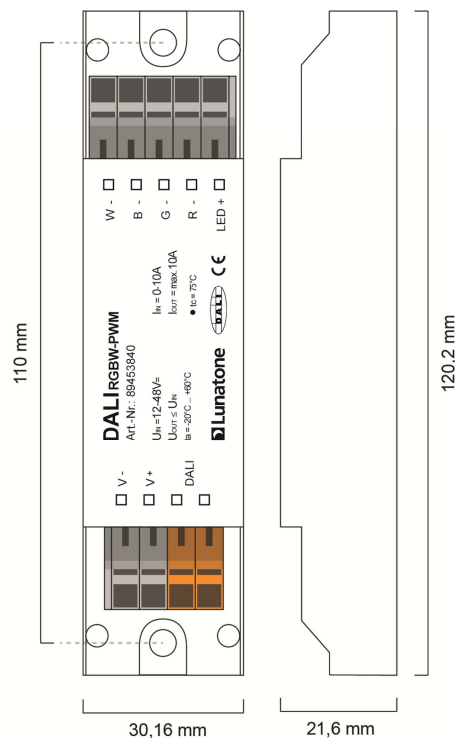
## Spezifikation, Kenndaten

type	DALI RGBW-PWM		
article number	86458509	89453840	89453843
power supply	12VDC-24VDC, 48V upon request		
maximum input current	8A	10A	16A
control input	DALI (Device Type 8)		
ambient temperature	-15°C-50°C		
protection class	IP20		
default state after power return	depending on DALI settings		
max. connecting wire cross section	2.5 mm <sup>2</sup>		
geometry (L x W x H)	59mmx33mmx15mm	120mmx30mmx21mm	





geometry 8A



geometry 10A und 16A

## Additional Information and Equipment

DALI-Cockpit – free configuration tool from Lunatone for DALI systems  
<http://lunatone.at/en/dali-systems/software/>

DALI-Manual [http://www.dali-ag.org/c/manual\\_gb.pdf](http://www.dali-ag.org/c/manual_gb.pdf)

DALI USB – PC interface for DALI system. The DALI-Cockpit can access DALI components using the DALI USB  
[http://lunatone.at/en/downloads/Lunatone\\_Art24138923\\_DALI\\_USB\\_Datasheet\\_EN.pdf](http://lunatone.at/en/downloads/Lunatone_Art24138923_DALI_USB_Datasheet_EN.pdf)

## Contact

Technical Support: [support@lunatone.com](mailto:support@lunatone.com)

Requests: [sales@lunatone.com](mailto:sales@lunatone.com)

[www.lunatone.com](http://www.lunatone.com)



## Disclaimer

Subject to change. Information provided without guarantee. The datasheet refers to the current delivery.

The function in installations with other devices must be tested for compatibility in advance.